

*Barudan*

HIGH SPEED AUTOMATIC EMBROIDERY MACHINE

**ELITE PRO**  
**BEDT-ZQ-501**

with thread clamps

**PARTS LIST**

**E L I T E   P r o .**  
**B E D T - Z N / Z Q - 5 0 1**  
**HIGH SPEED AUTOMATIC EMBROIDERY MACHINE**

**C O N T E N T S**

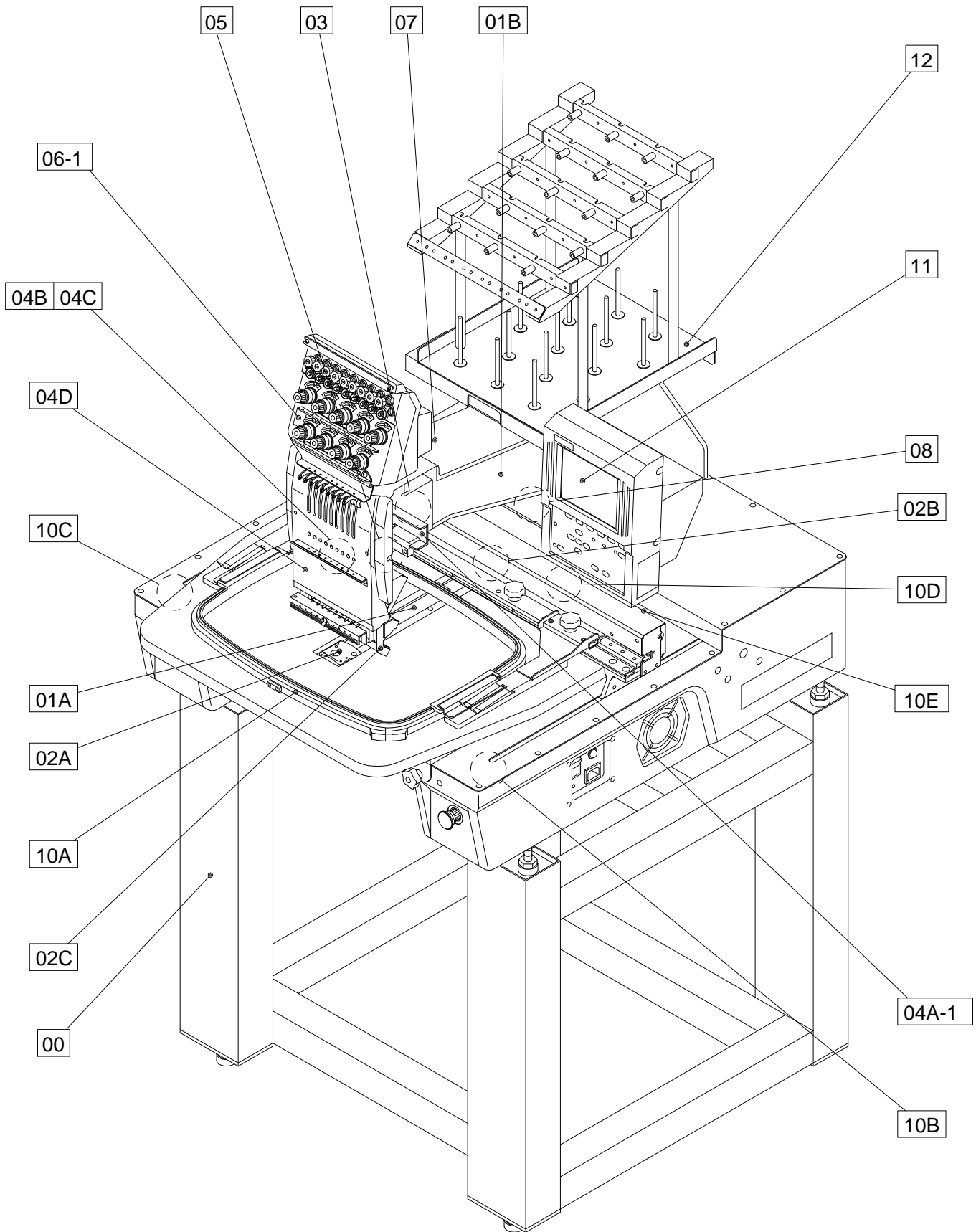
Machine layout (BEDT-ZQ-501)

00	Table Frame	05	Jump
01A	Head Bed A	06-1	Thread guide (ZN)
01B	Head Bed B	06-2	Thread guide (ZQ)
02A	Thread cut A	07	Color change
02B	Thread cut B	08	Drive
02C	Thread cut C	10A	Pantograph drive A (QS)
03	Take up lever	10B	Pantograph drive B (QS)
04A-1	Needle bar A (ZN)	10C	Pantograph drive C
04A-2	Needle bar A (ZQ)	10D	Pantograph drive D
04B	Needle bar B	10E	Pantograph drive E
04C	Needle bar C	11	Control
04D	Needle bar D	12	Accessories

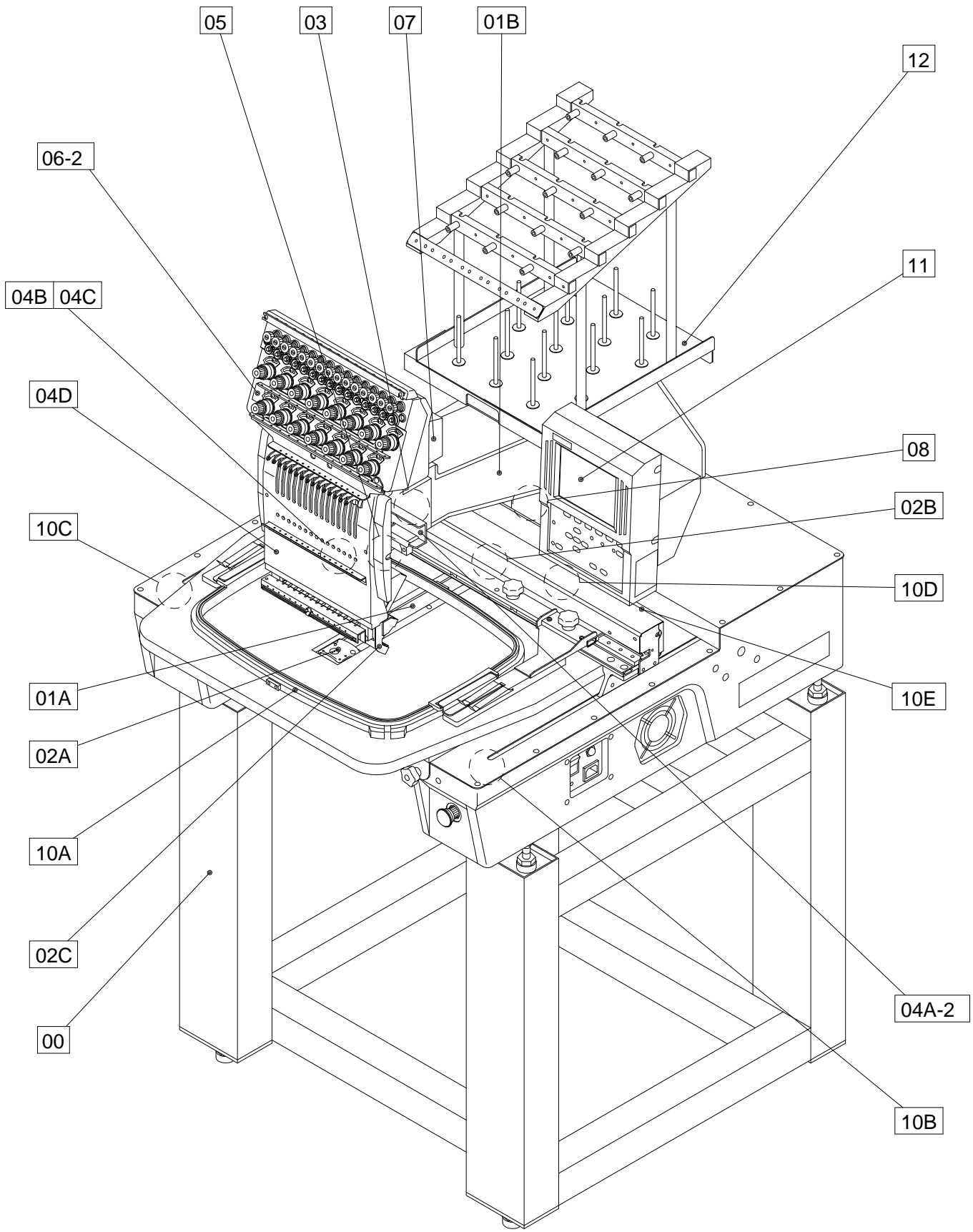
**INDEX**



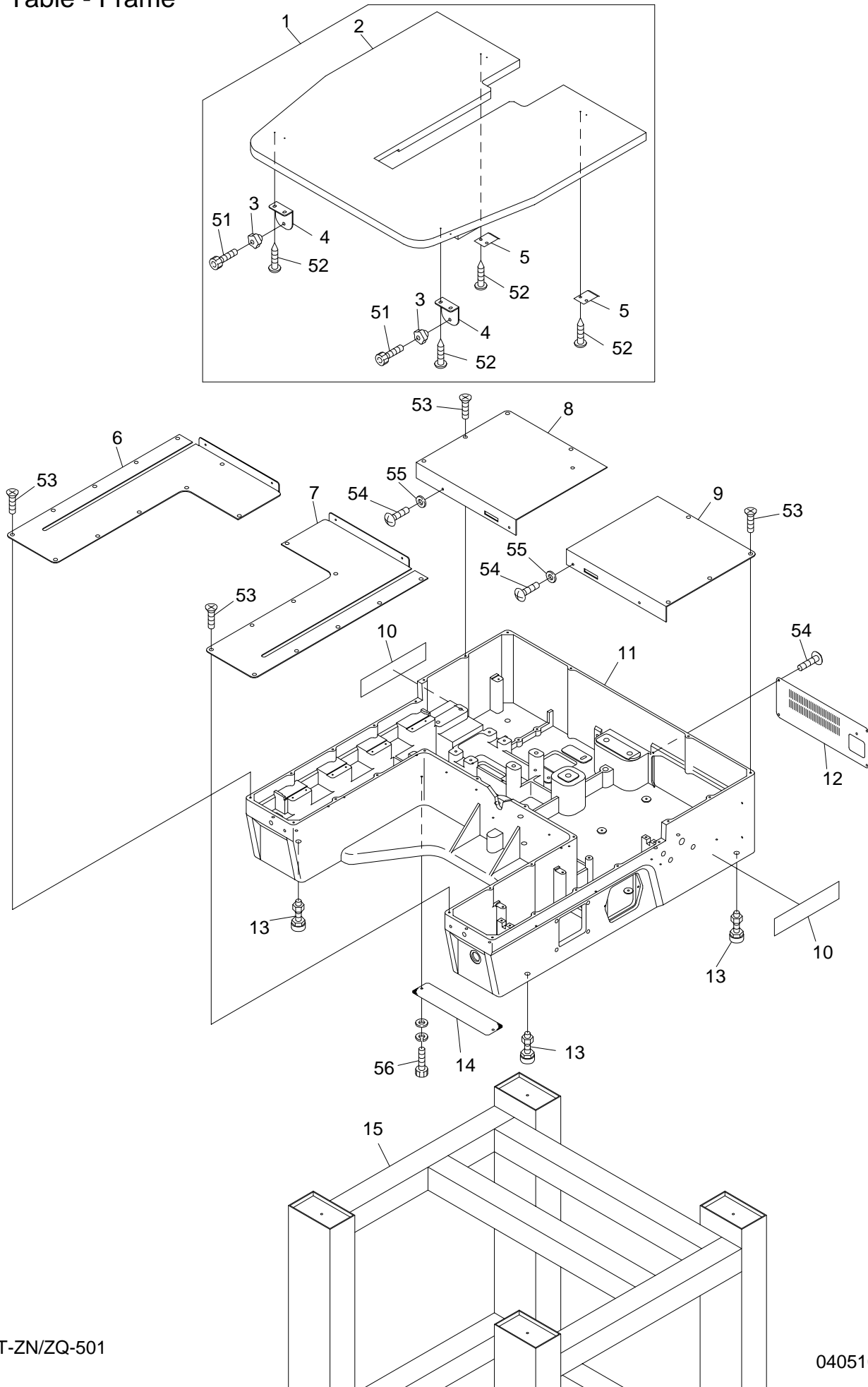
# Machine Layout (BEDT-ZN-501)



# Machine Layout (BEDT-ZQ-501)

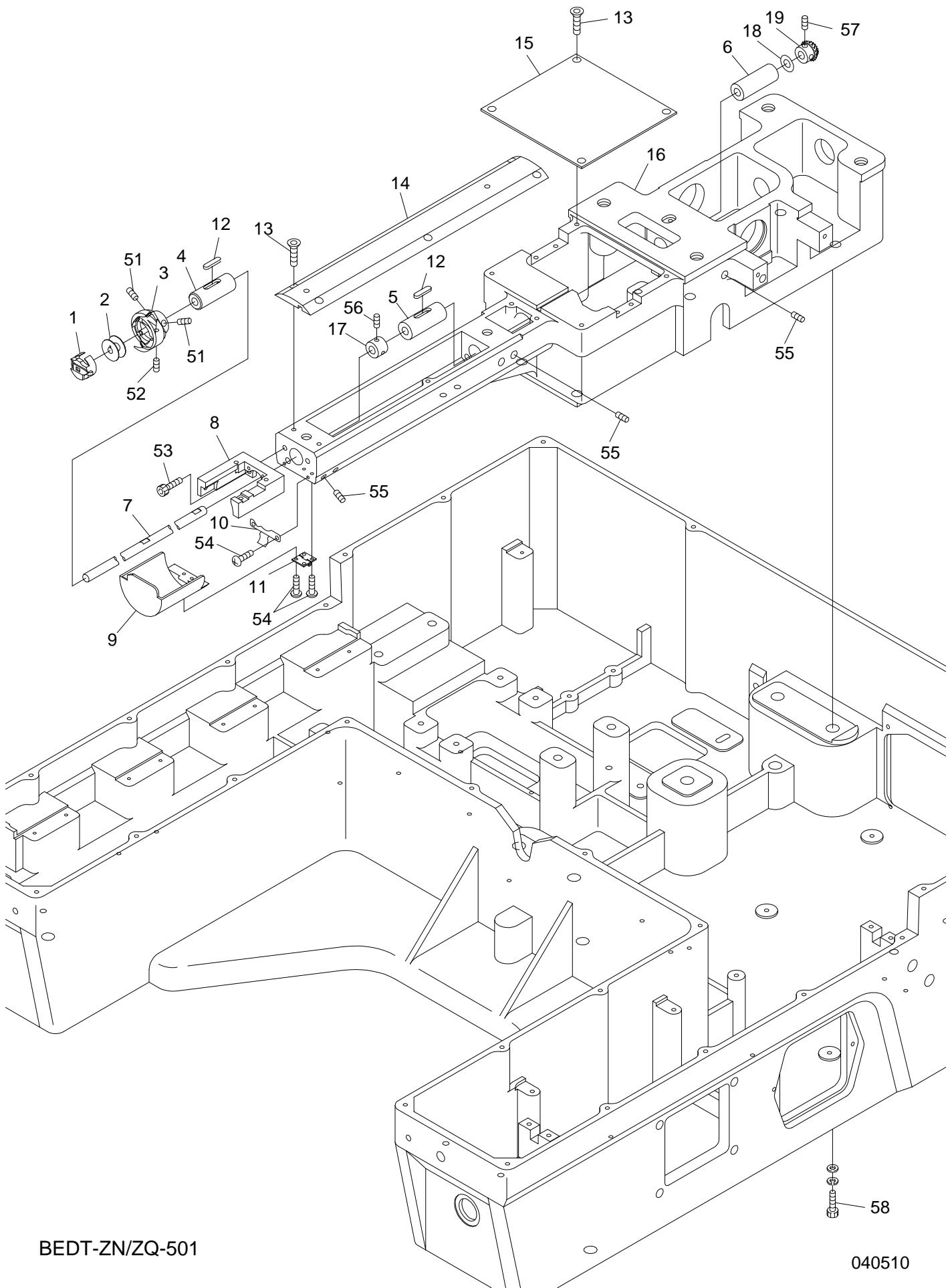


00 Table - Frame





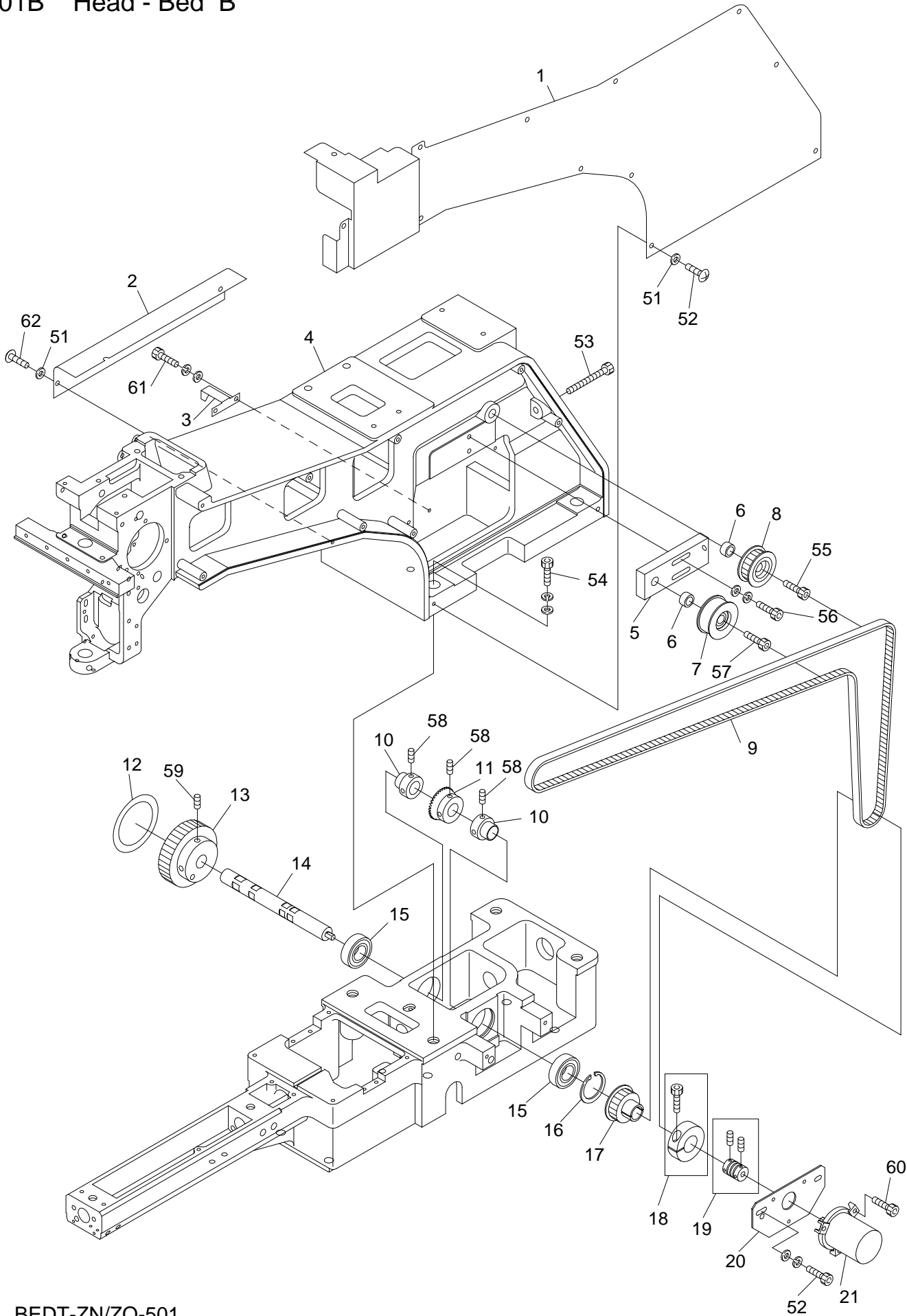
01A Head - Bed A







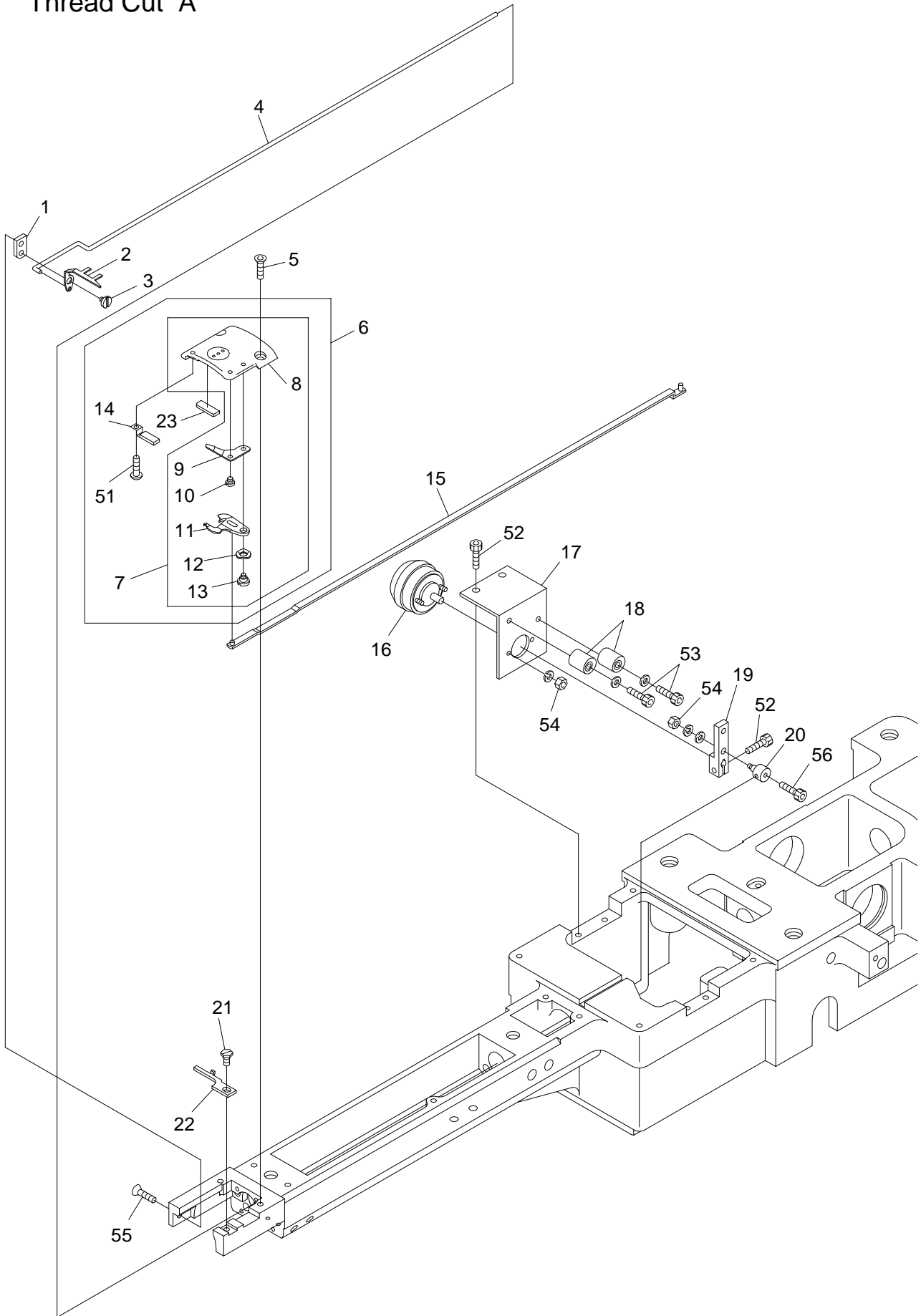
01B Head - Bed B



01B Head - Bed B

ITEM	L I S T No.	D E S C R I P T I O N	Q'TY	N O T E
1	MK250131	Arm cover	1	
2	MK250190	Service cover	1	
3	MK310010	Point needle	1	
4	MK210021	Arm(DT-501) KOREA	1	
5	MK310020	Idler base	1	
6	MK310030	Collar	2	
7	A9020210	Idler(TPBSN 38-15)	1	
8	MH310091	Synchronous idler pulley	1	
9	A9020217	Timing belt(B100S5M1500)	1	
10	MK320001	Lower shaft connecting shaft collar (Ball type)	2	
11	SJ320010	Lower shaft connecting gear(Large gear) KOREA	1	
12	MK790000	Rotary angle label	1	
13	MK310070	Main shaft motor drive shaft(P44)	1	
14	MK310060	Main shaft motor timing shaft	1	
15	A9010004	Bearing 6003ZZ	2	
16	A9012439	C-ring for hole 35	1	
17	MK230000	Needle shaft drive pulley	1	
18	HH481980	19 clamp	1	
19	A9013071	Coupling(MCJ16-6-6)	1	
20	MH310011	Encoder bracket	1	
21	MF510000	Encoder(With circle bracket) (TS5307N510)	1	
51		Nylon washer(4x9xt1)		
52		Hex.socket bolt M4x12(With washers)		
53		Hex.socket bolt M6x80		
54		Hex.socket bolt M12x60(With washers)		
55		Hex.socket bolt M10x30		
56		Hex.socket bolt M5x25(With washers)		
57		Hex.socket bolt M10x25		
58		Hex.socket set screw M5x8		
59		Hex.socket set screw M6x8		
60		Hex.socket bolt M4x12		
61		Hex.socket bolt M4x10(With washers)		
62		Trass screw M4x8		

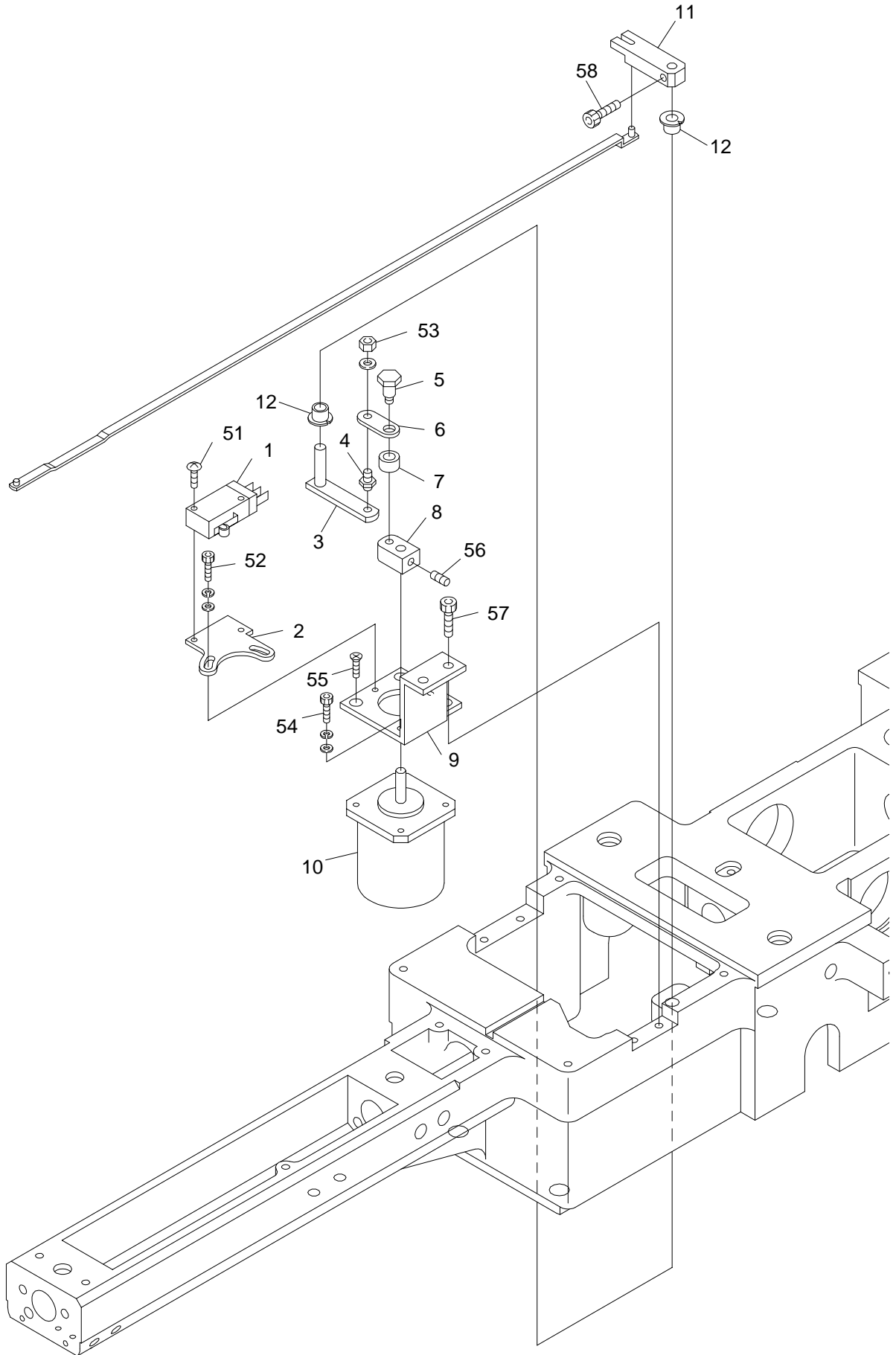
02A Thread Cut A



02A Thread cut A

ITEM	LIST No.	DESCRIPTION	QTY	NOTE
1	HS210051	Hook fixed stay(Short type)	1	
2	HS210300	Hook(Cylinder MK5)	1	
3	KC271001	Upper thread knife rotary shaft	1	
4	MK270010	Hook drive rod(L)	1	
5	KX250080	Throat plate set screw(Hex.socket)	2	
6	SJ270120	Throat plate a'ssy	1	
7	SJ270010	Throat plate a'ssy (Barrel frame correspondence)	1	
8	SJ270020	Cylinder throat plate Barrel frame correspondence	1	
9	SJ270040	Fixed knife barrel frame correspondence	1	
10	KX270010	Fixed knife set screw	1	
11	SJ270030	Driving knife barrel frame correspondence	1	
12	A9013066	Wave washer(WW5)(SK)	1	
13	KN272010	Lower thread knife rotary shaft	1	
14	HT270181	Lower thread support stay(Cylinder) CMP	1	
15	MK270000	Lower thread knife drive rod(L)	1	
16	A9056040	Rotary solenoid 3ER25-30x3x8x9 (24V)	1	
17	LA270040	Solenoid stay	1	
18	KN272401	Stopper eccentric	2	
19	KC271940	Solenoid lever A	1	
20	HS210080	Connecting clamp	1	
21	KX270430	Screw(Cylinder)	1	
22	KX270000	Rotating hook bobbin case holder position bracket	1	
23	SJ270110	Lower thread support magic tape (Cylinder)		
51		Pan screw M3x3		
52		Hex.socket bolt M4x10		
53		Hex.socket bolt M4x20		
54		Hex.nut M3		
55		Hex.socket flush bolt M4x6		
56		Hex.socket bolt M3x5		

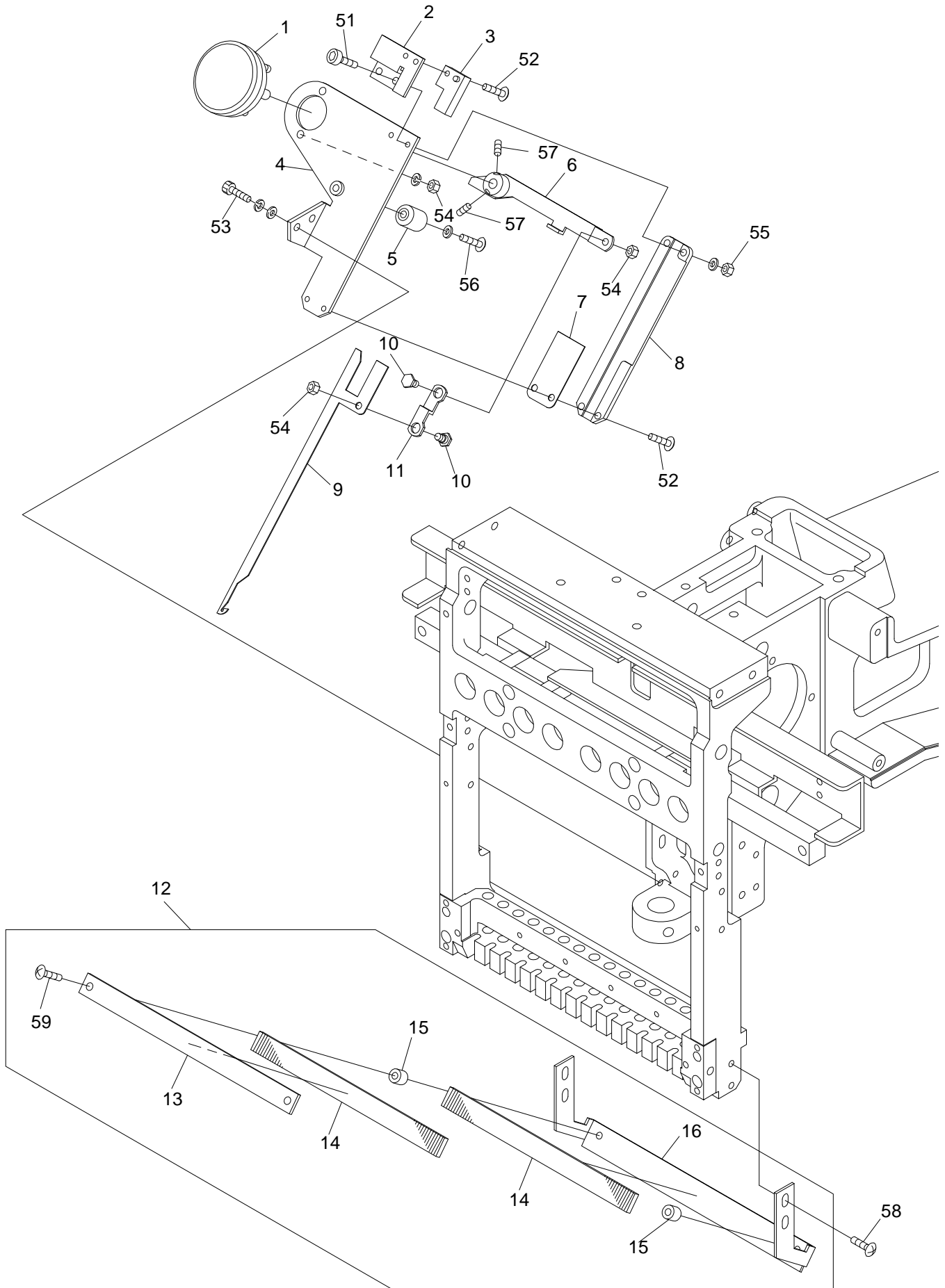
02 B Thread Cut B



02B Thread cut B

ITEM	LIST No.	DESCRIPTION	Q'TY	NOTE
1	A9052078	Micro switch D2VW-01L2A-1	1	
2	MF210080	Sensor bracket	1	
3	MF210070	Lower thread knife drive lever lower	1	
4	MB295250	Lever pin	1	
5	MB295290	Lever set pin	1	
6	MB295270	Lever connection plate	1	
7	MB295260	Motor lever collar	1	
8	MG210070	Motor lever(Long)	1	
9	MG210050	Thread cutter motor bracket(Long)	1	
10	MF510020	Color change thread cutter motor	1	
11	KC271120	Lower thread knife driving lever(Upper)	1	
12	A9012114	DU bush with flange(MB0505-10FDU)	2	
51		Truss screw M3x15		
52		Hex.socket bolt M3x6		
53		Hex.nut M4		
54		Hex.socket bolt M3x8		
55		Flush screw M3x8		
56		Hex.socket set screw M4x5		
57		Hex.socket bolt M4x10		
58		Hex.socket bolt M4x6		

# 02C Thread Cut C

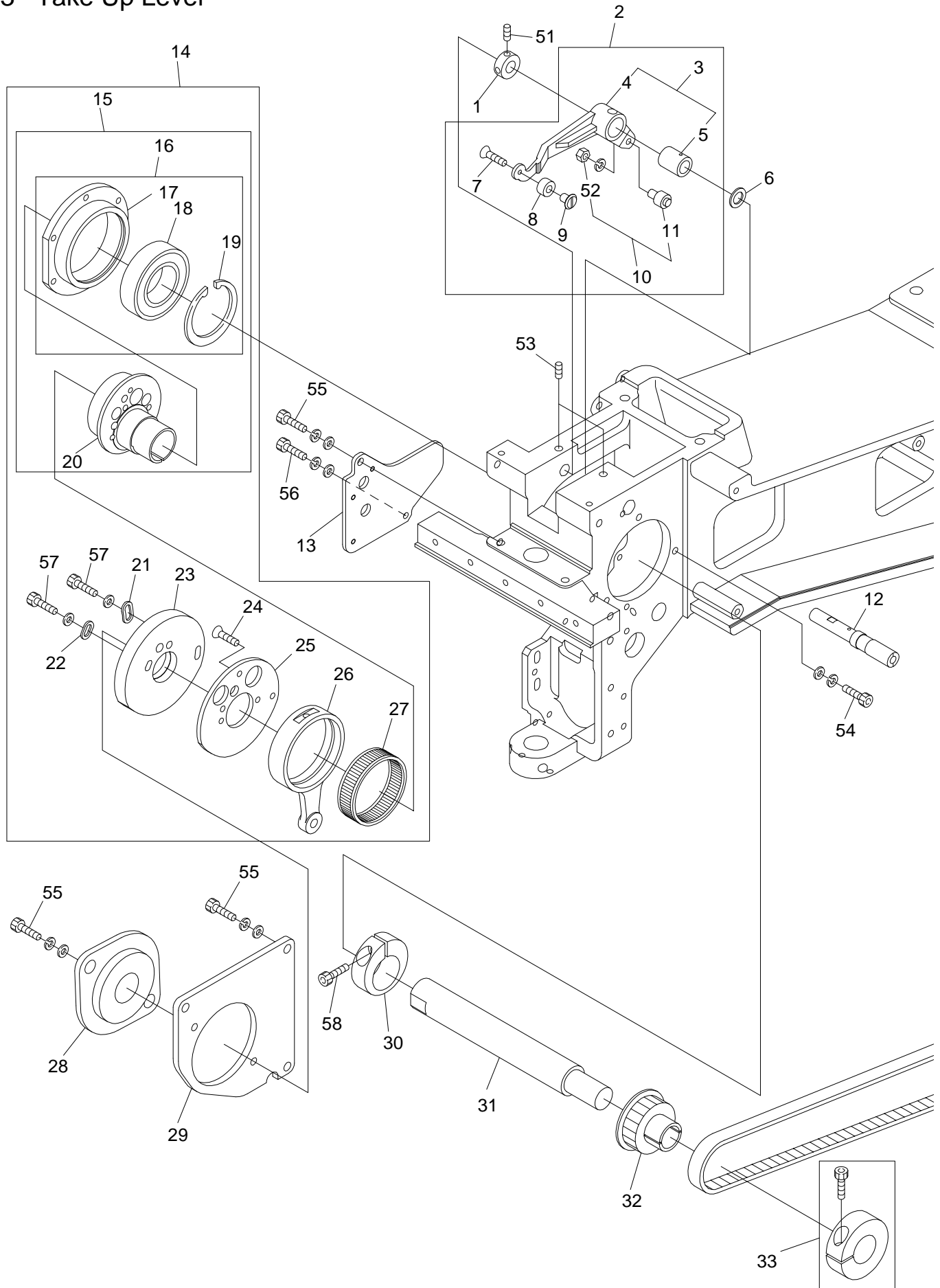




02C Thread cut C

ITEM	LIST No.	DESCRIPTION	Q'TY	NOTE
1	A9056041	Rotary solenoid 4ER45-28×3×8×9 (24V)	1	
2	KL270260	Switch stay	1	
3	A9052028	Proximity switch(RS-603)	1	
4	SG270081	Thread away base	1	
5	KN272401	Stopper eccentric	1	
6	SG270090	Thread away solenoid lever	1	
7	KL270450	Hook guide plate	1	
8	KL270091	Thread away hook guide	1	
9	KL270101	Thread away hook	1	
10	KL270131	Lever connecting pin	2	
11	KL270120	Connecting plate	1	
12	LA270150	Thread guard disk A'ssy(ZN-A)	1	ZN
	LA270160	Thread guard disk A'ssy(ZQ-A)	1	ZQ
13	KX270050	Thread guard disk ( upper)	1	ZN
	RD270040	Thread guard disk ( upper)	1	ZQ
14	KX270370	Napped plate	2	ZN
	RD270020	Napped plate	2	ZQ
15	KX270070	Thread guard disk spacer	2	ZN/ZQ
16	LA270120	Thread guard disk bracket(ZN-A)	1	ZN
	LA270080	Thread guard disk bracket(ZQ-A)	1	ZQ
51		Hex.socket bolt M3×10		
52		Truss screw M3×6		
53		Hex.socket bolt M4×12(With washers)		
54		Hex.nut M4(? )		
55		Hex.nut M4(? )(With washer)		
56		Truss screw M4×20		
57		Hex.socket set screw M4×5		
58		Truss screw M4×8		
59		Truss screw M4×10		

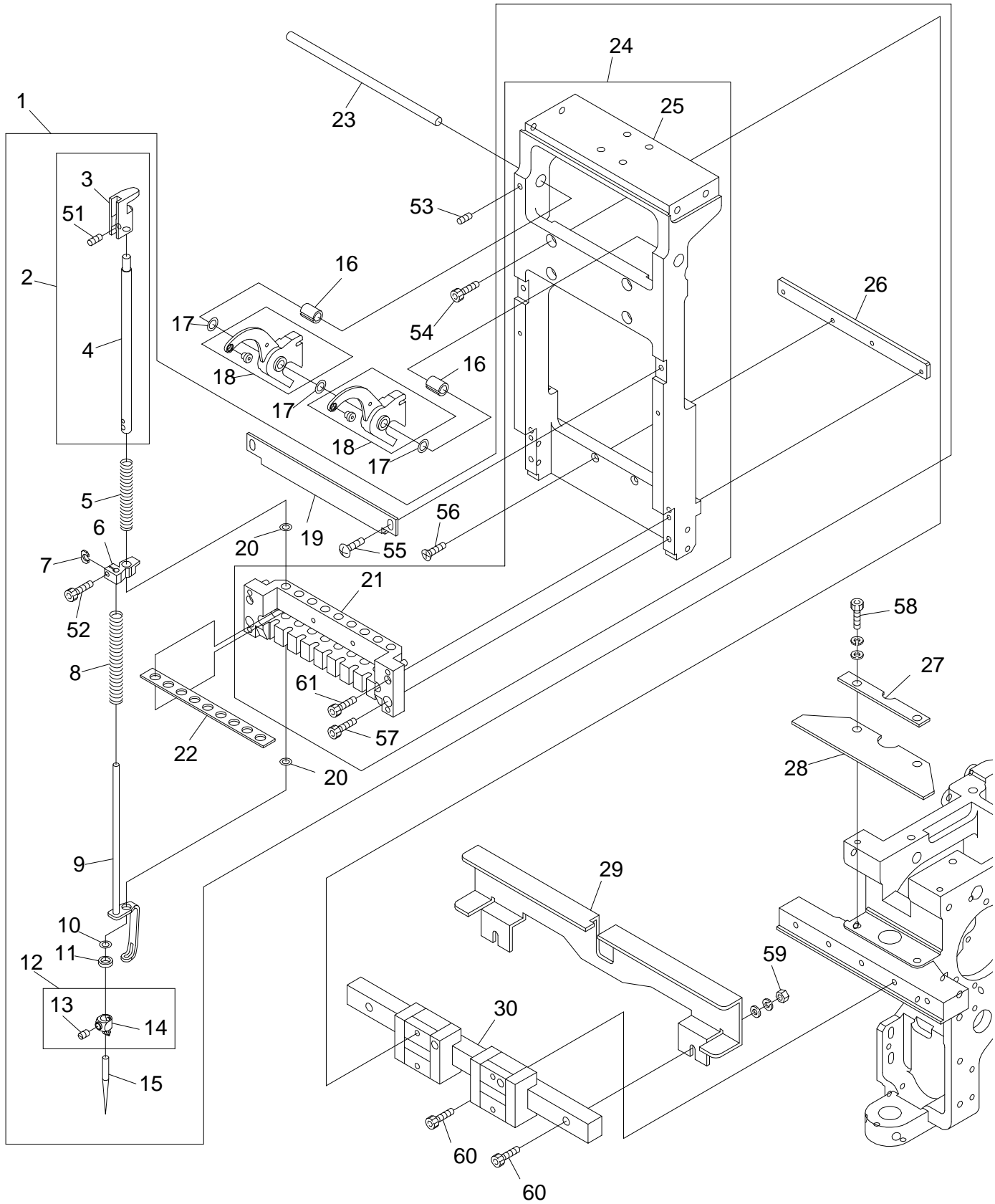
# 03 Take Up Lever



03 Take up lever

ITEM	L I S T No.	D E S C R I P T I O N	QTY	N O T E
1	HB230800	Take up lever driving lever fixing pin set collar	1	
2	MK230130	Take up lever driving lever a'ssy	1	
3	RH230801	Take up lever driving lever(Metal)	1	
4	RH230311	Take up lever driving lever	1	
5	RH230810	Take up lever metal	1	
6	RH230610	Thrust washer	1	
7	HB230650	Flush screw(With adhesion)	1	
8	MK230120	Take up lever driving roller (ELITE pro)	1	
9	RD230130	Take up lever driving roller shaft	1	
10	KF230501	Take up lever roller a'ssy	1	
11	KF230680	Cam followers(KR×4×7.9×15-1P×1)	1	
12	RH230320	Take up lever driving lever fixing pin	1	
13	MK310041	Cap cover fixed plate	1	
14	SG230370	Take up lever?Needle bar drive a'ssy (H6 cam for strengthening)	1	
15	RN230010	Needle bar driving cam a'ssy	1	
16	RN230030	Bearing case a'ssy	1	
17	RN230040	Bearing case	1	
18	A9010073	Ball bearing(6005ZZ)	1	
19	A9012421	C-ring for hole 47dia.	1	
20	RN230020	Needle bar driving cam (Eccentricity 9.2 x 20)	1	
21	HB230080	Washer for cam(2)	1	
22	HB230070	Washer for cam(1)	1	
23	SG230240	Take up lever cam H6(Strengthening type)	1	
24	HB230620	Flush screw	3	
25	RH230300	Take up lever cam base	1	
26	RH230280	Needle bar crank rod	1	
27	RH230271	Needle bearing (HL-8E-K42x46x12.8x2)	1	
28	A9011251	Frang unit(SBPFL 204)	1	
29	MK310050	Bearing plate	1	
30	RH230330	Needle bar driving cam set collar	1	
31	MK220010	Upper shaft	1	
32	MK230000	Needle shaft drive pulley	1	
33	HH481980	19 dia. clamp	1	
51		Hex.socket set screw M4x4(With adhesion)		
52		Hex.nut M4(With spring washer)		
53		Hex.socket set screw M5x5		
54		Hex.socket bolt M4x15(With washers)		
55		Hex.socket bolt M5x15(With washers)		
56		Hex.socket bolt M4x12(With washers)		
57		Hex.socket bolt M4x8		
58		Hex.socket bolt M5x18		

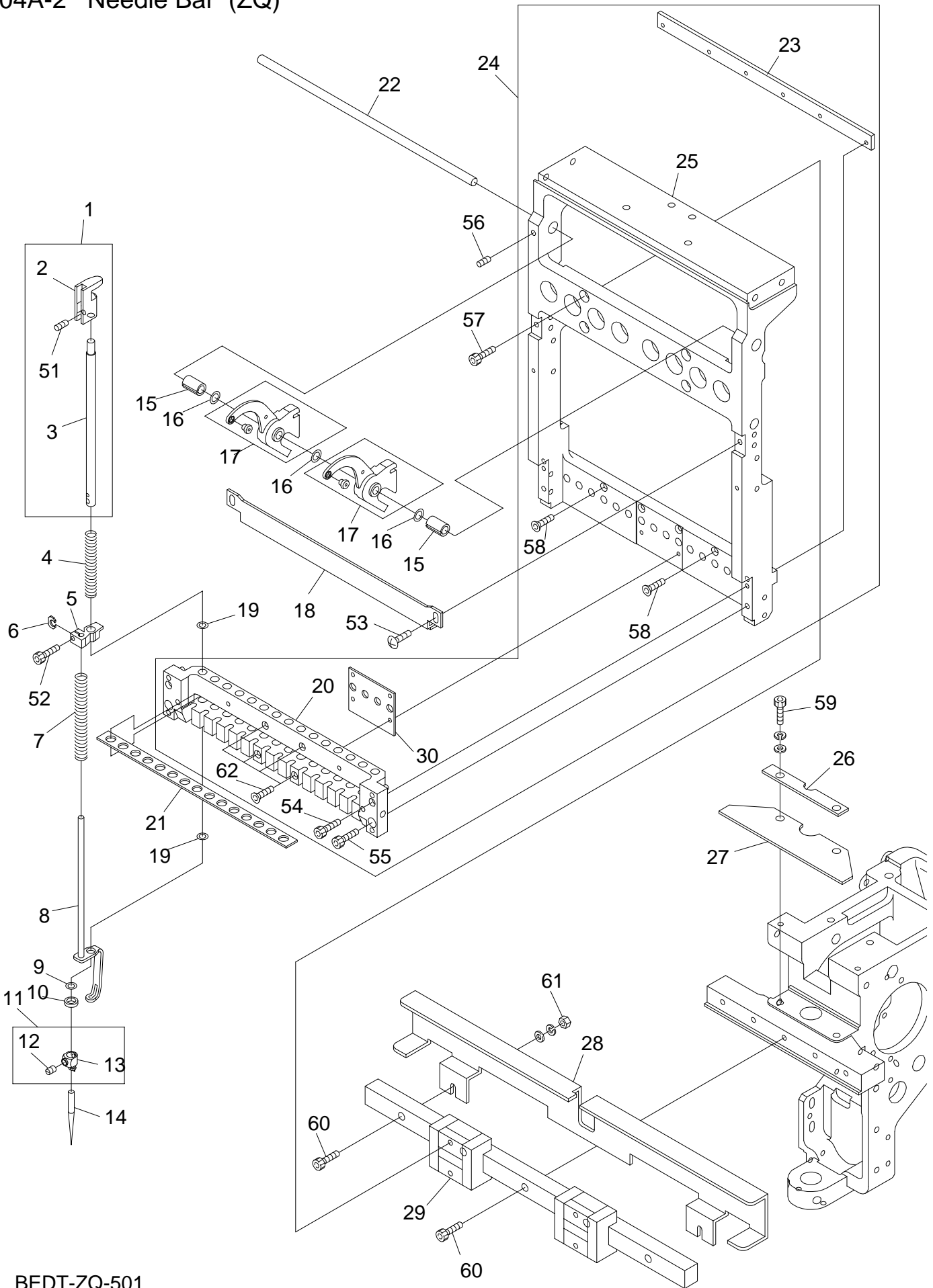
# 04A-1 Needle Bar A (ZN)



04 A-1 Needle bar A (ZN)

ITEM	L I S T No.	D E S C R I P T I O N	Q'TY	N O T E
1	MH230002	Slide block a'ssy(DT-ZN)	1	
2	RD230480	Needle bar a'ssy	9	
3	RD230490	Needle bar guide	9	
4	RH230410	Needle bar	9	
5	HT230251	Needle bar spring(Upper,for thick type)	9	
6	HT230330	Cloth hold set clamp	9	
7	HT230263	Washer for set clamp	9	
8	SG230220	Needle bar spring lower	9	
9	RD230370	Cloth hold(ZQ4)	9	
10	KF230910	O-ring(AN6227-5)	9	
11	HT230120	Washer 2.4	9	
12	RH230440	Needle clamp(With hook,set screw)	9	
13	RH230460	Needle clamp screw	9	
14	RH230450	Needle clamp(With hook)	9	
15	FN070011SNY	Needle(DBXK5-NY11S)	9	
16	MK230090	Take up lever collar(14L)	2	
17	MK230050	Take up lever washer	10	
18	MK230040	Take up lever	9	
19	MH230110	Needle bar stocker(DT-ZN)	1	
20	A9014167	O-ring SS065	1 8	
21	MH230031	Needle bar base(DT-ZN)	1	
22	MH230100	Needle bar felt(DT-ZN)	1	
23	MH230040	Take up lever shaft (DT-ZN)	1	
24	MH230013	Slide block set(DT-ZN)	1	
25	MH230022	Slide block(DT-ZN)	1	
26	KX230040	Bearing plate	1	
27	MK230020	Holder plate	1	
28	MK230010	LM rail holder plate	1	
29	MK230110	Take up lever stocker(DT-ZN)	1	
30	A9011248	LM Guide (SSR15XV2UUE+220LYF)	1	
51		Hex.socket double point screw M4x4		
52		Hex.socket bolt M3x8		
53		Hex.socket set screw M4x8		
54		Hex.socket bolt M4x10		
55		Hex.socket button bolt M4x8		
56		Hex.socket flush screw M3x14		
57		Hex.socket bolt M4x12		
58		Hex.socket bolt M5x15(With washers)		
59		Hex.nut M4		
60		Hex.socket bolt M4x15		
61		Hex.socket bolt M3x35		

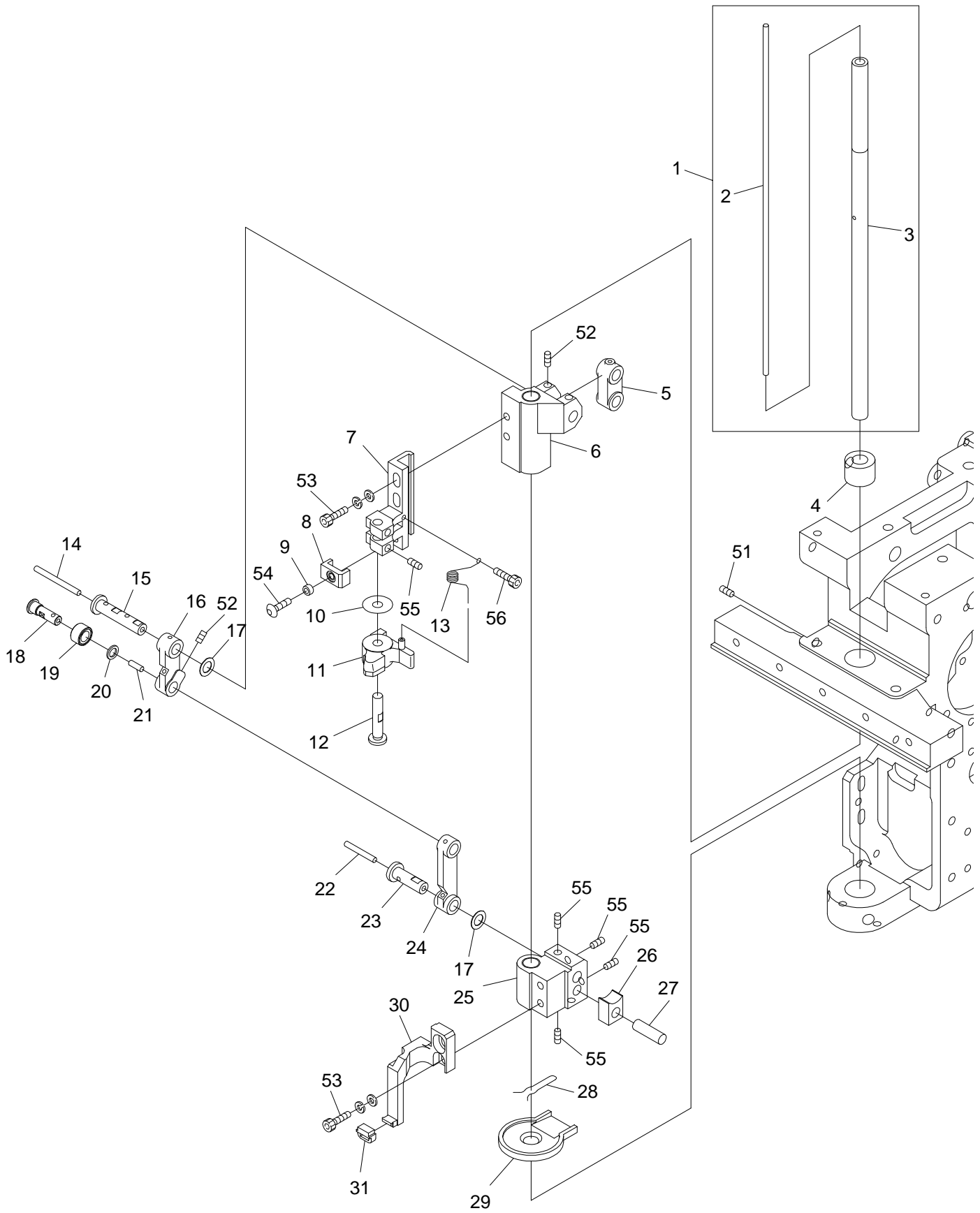
# 04A-2 Needle Bar (ZQ)



04 A-2 Needle bar A (ZQ)

ITEM	LIST No.	DESCRIPTION	QTY	NOTE
1	RD230480	Needle bar a'ssy	1 5	
2	RD230490	Needle bar guide	1 5	
3	RH230410	Needle bar	1 5	
4	HT250251	Needle bar spring(Upper)	1 5	
5	HT230330	Cloth hold set clamp	1 5	
6	HT230263	Washer for set clamp	1 5	
7	SG230220	Needle bar spring lower	1 5	
8	RD230370	Cloth hold(ZQ4)	1 5	
9	KF230910	O-ring(AN6227-5)	1 5	
10	HT230120	Washer 2.4	1 5	
11	RH230440	Needle clamp(With hook,set screw)	1 5	
12	RH230460	Needle clamp screw	1 5	
13	RH230450	Needle clamp(With hook)	1 5	
14	FN070011SNY	Needle(DBXK5-NY11S)	1 5	
15	MK230090	Take up lever collar(14L)	2	
16	MK230050	Take up lever washer	1 6	
17	MK230040	Take up lever	1 5	
18	SL230040	Needle bar stocker	1	
19	A9014167	O-ring SS065	3 0	
20	SL230031	Needle bar base	1	
21	SL230080	Needle bar felt	1	
22	SL230070	Take up lever shaft(ZQ6)	1	
23	RD230060	Bearing plate	1	
24	SL230001	Slide block set	1	
25	SL230021	Slide block	1	
26	MK230020	Holder plate	1	
27	MK230010	LM rail holder plate	1	
28	MK230100	Take up lever stocker	1	
29	SL230140	LM (ZQ6)SSR15V2LL+311L-1	1	
30	SL230090	Slide block sim	1	
51		Hex.socket double point screw M4x4		
52		Hex.socket bolt M3x8		
53		Hex.socket button bolt M4x8		
54		Hex.socket bolt M3x35		
55		Hex.socket bolt M4x12		
56		Hex.socket set screw M4x8		
57		Hex.socket bolt M4x10		
58		Hex.socket flush bolt M3x14		
59		Hex.socket bolt M5x15(With washers)		
60		Hex.socket bolt M4x15		
61		Hex.nut M4		
62		Hex.socket flush bolt M3x25		

# 04B Needle Bar B

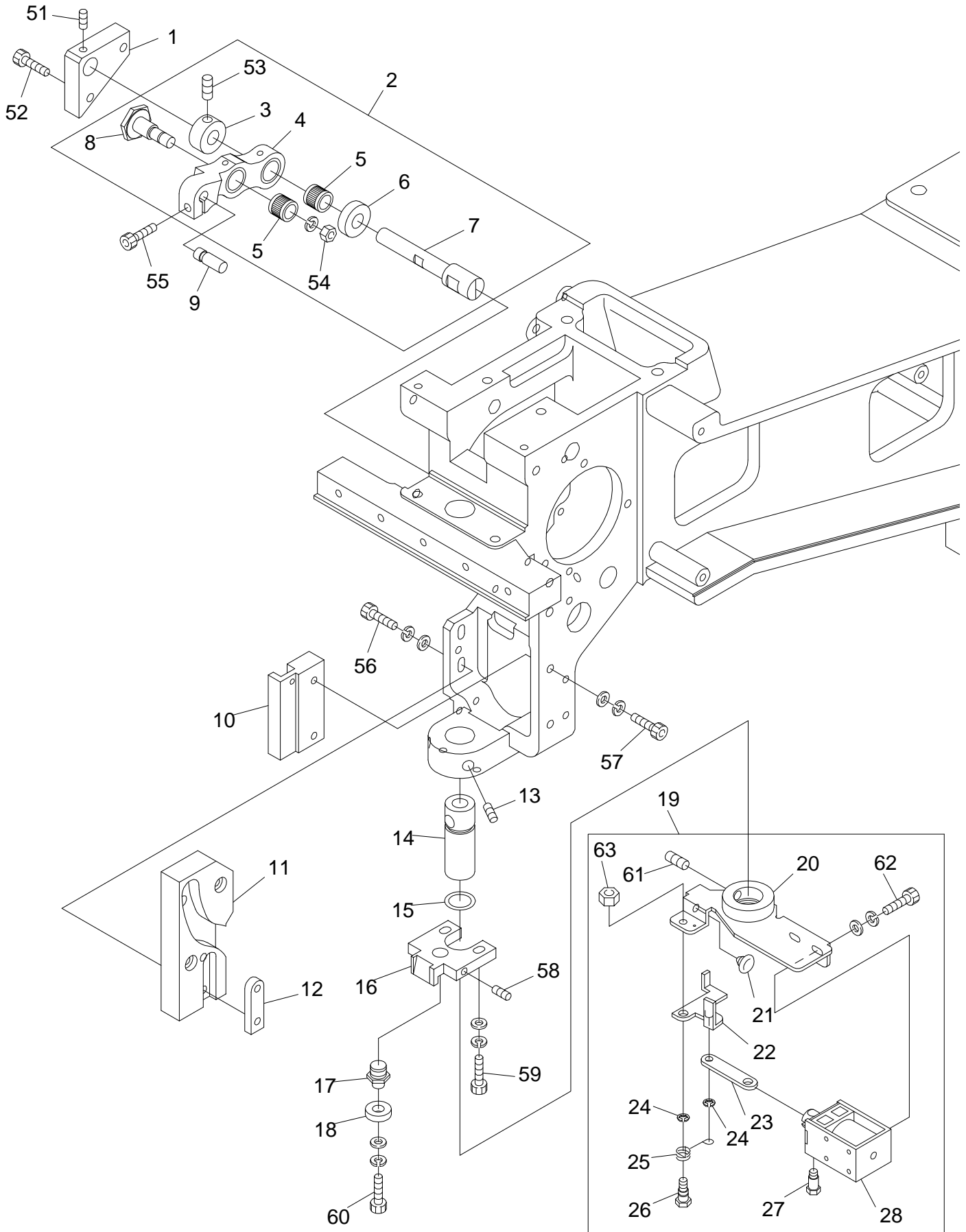




## 04B Needle bar B

ITEM	LIST No.	DESCRIPTION	QTY	NOTE
1	MH230140	Slide shaft a'ssy(DT-ZN)	1	
2	MH230180	Oil core(210mm)	1	
3	MH230170	Slide shaft(DT-ZN)	1	
4	KX230071	Slide shaft bush(Upper)	1	
5	HB230200	Needle bar driving link	1	
6	HT230510	Needle bar driver slide block	1	
7	HT230290	Needle bar beat fixing base	1	
8	HT230520	Needle bar driving stopper	1	
9	A9012368	Spacer(Roll bush)	1	
10	RH230550	Shim ring	1	
11	RH230540	Needle bar driver	1	
12	HT230280	Needle bar driver pin	1	
13	HT230560	Needle bar driver return spring	1	
14	HT230750	Oil core(30mm)	1	
15	HT230471	Small link pin	1	
16	HT230491	Link(Small)	1	
17	HT230730	Shim ring(10 t=0.3)	2	
18	RR230130	Link roller joint pin	1	
19	RR230150	Cloth hold roller	1	
20	RR230140	Washer	1	
21	HT230760	Oil core(8mm)	1	
22	HT230770	Oil core(20mm)	1	
23	HT230460	Large link pin	1	
24	HT230480	Link(Large)	1	
25	HT230500	Set slide block	1	
26	HP231370	Square ball	1	
27	HT230320	Square ball pin	1	
28	MH230200	Grip spring	1	
29	SG230000	Oil receive plate	1	
30	RV230250	Cloth hold support	1	
31	HT230340	Cloth hold support rubber	1	
51		Hex.socket set screw M5x10		
52		Hex.socket set screw M4x6(With nylon)		
53		Hex.socket bolt M4x12(With washers)		
54		Hex.socket button bolt M3x6		
55		Hex.socket set screw M4x4(With nylon)		
56		Hex.Socke bolt M2.5x6		

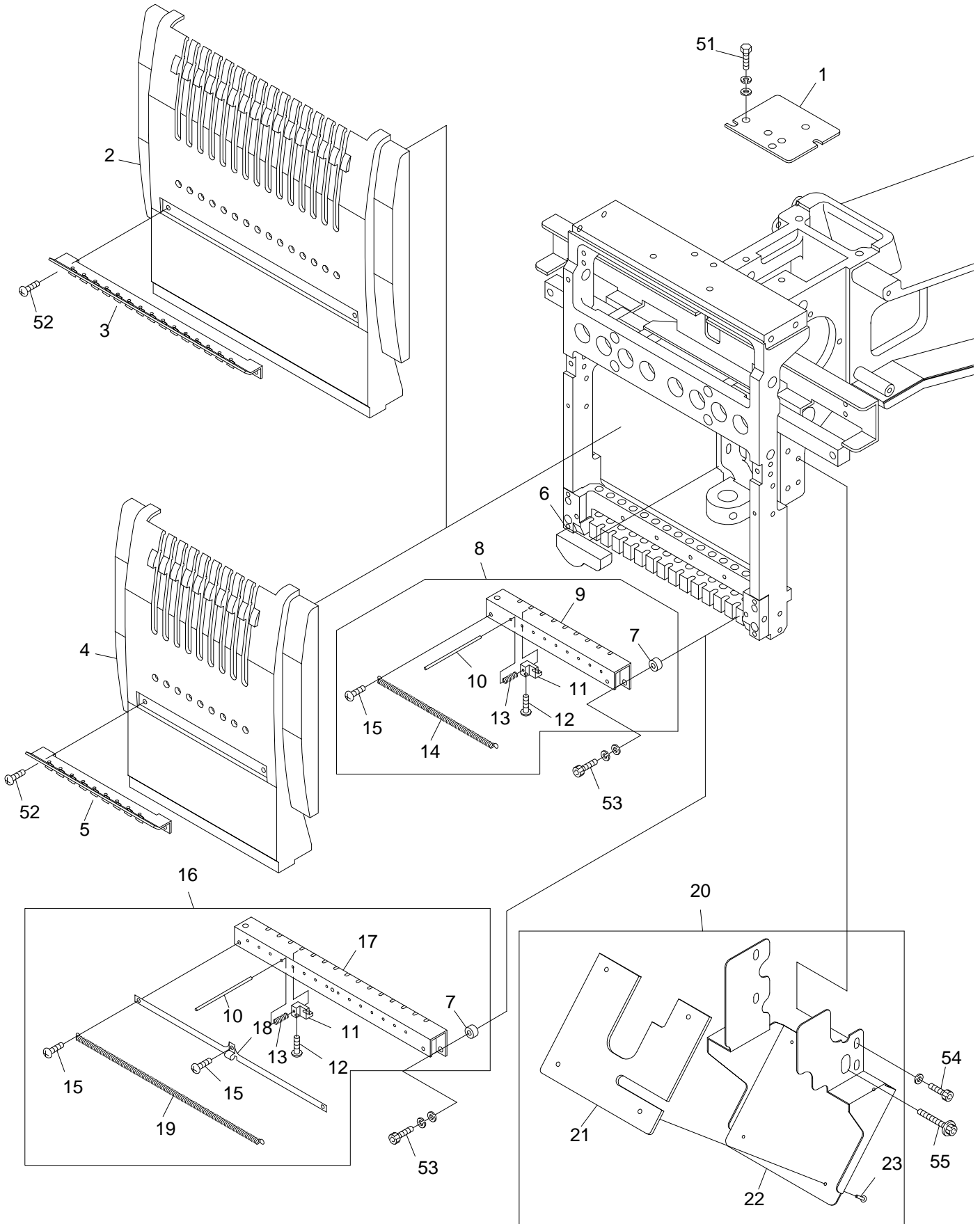
# 04C Needle Bar C



04C Needle bar C

ITEM	LIST No.	DESCRIPTION	QTY	NOTE
1	MH230150	Lever pin block(515 white)	1	
2	RR230090	Needle bar driving lever set(P25.65)	1	
3	HB230271	Needle bar driving lever fixing pin set collar	1 1	
4	RR230080	Needle bar driving lever(P25.65)	1	
5	HB230361	Needle roller with retainer(KV8x11x10SV2)	2	
6	HB230281	Needle bar driving lever fixing pin collar	1	
7	HT230410	Needle bar driving lever fixing pin	1	
8	HB230261	Needle bar driving lever connecting pin	1	
9	HB230220	Needle bar driving lever pin(B)	1	
10	HT230420	Guide plate	1	
11	MK230071	K2 cam(12)	1	
12	MK230080	Cam tap plate	1	
13	A9012053	Hex.socket set screw(With steel ball) M6x0.7x8	2	
14	LA230080	Slide shaft bush(Lower)	1	
15	A9019037	O-ring(Bush lower S12.5 NOK)	1	
16	LA230140	Bearing guide	1	
17	SG230300	Bearing pin	1	
18	A9010065	Ball bearing 686zz	1	
19	MM270000	Thread support a'ssy(24V) DTHE-ZQ	1	
20	SG270050	Thread support base	1	
21	A9014166	Plug cushion rubber TM-96-6	1	
22	SG270060	Thread support lever	1	
23	SG270070	Thread support link	1	
24	A9012127	E-ring(3)	2	
25	SG270120	Thread support return spring	1	
26	SG270110	Thread support lever pin screw	1	
27	KC270101	Solenoid pin	1	
28	A9056042	Keep solenoid(24V) TDS-K10SL-368	1	
51		Hex.socket set screw M4x4(With nylon)		
52		Hex.socket bolt M4x12(With washers)		
53		Hex.socket set screw M5x5		
54		Hex.nut M6(With spring washer)		
55		Hex.socket bolt M4x14(With adhesive)		
56		Hex.socket bolt M4x15		
57		Hex.socket bolt M4x18(With washers)		
58		Hex.socket set screw(Dog point) M4x12		
59		Hex.socket bolt M4x15(With washers)		
60		Hex.socket bolt M4x6(With washers)		
61		Hex.socket set screw M5x8		
62		Hex.socket bolt M3x6(With washers)		
63		Hex.nut M4		

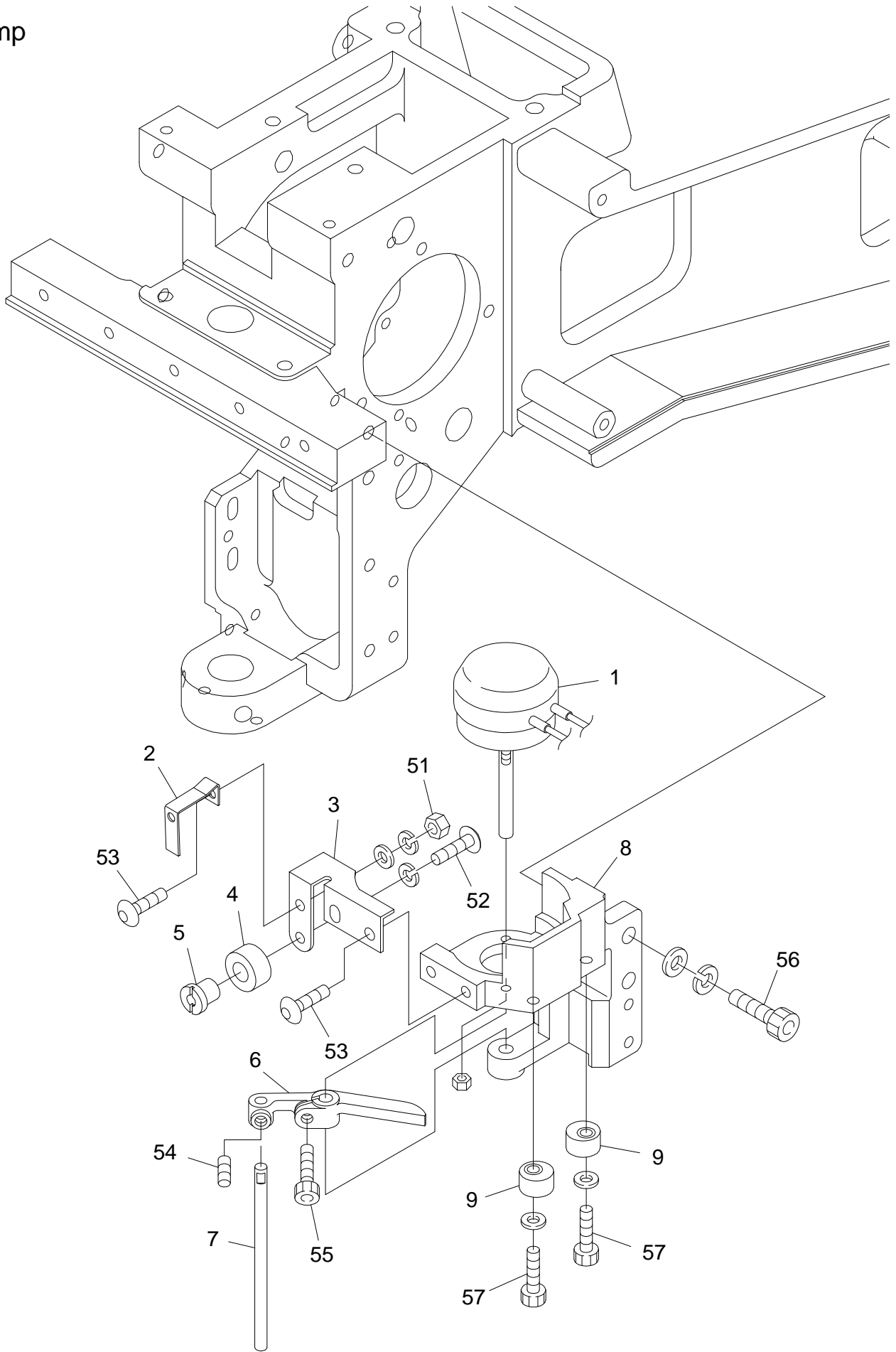
# 04D Needle Bar D



04D Needle bar D

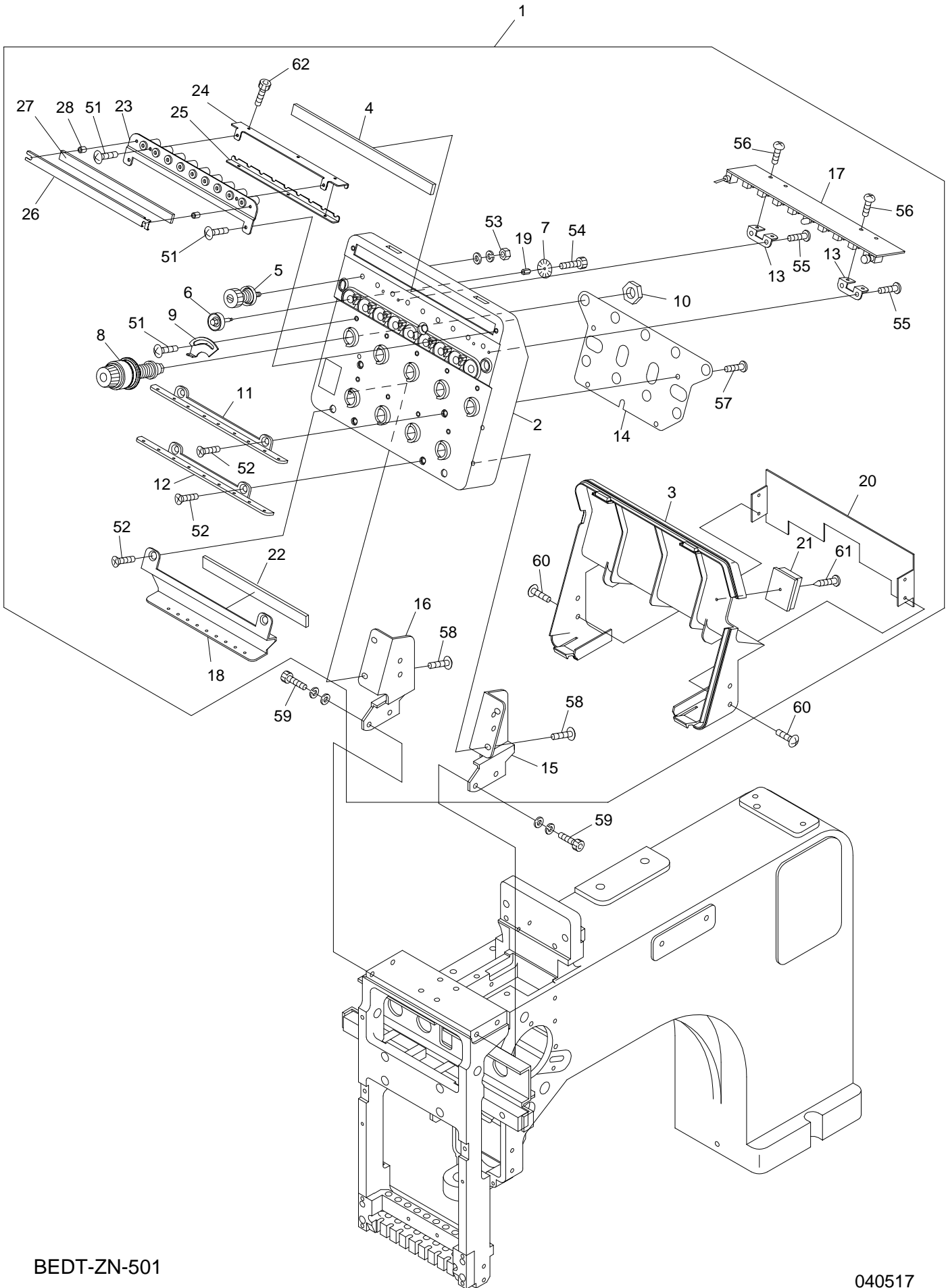
ITEM	L I S T No.	D E S C R I P T I O N	Q'TY	N O T E
1	RV250070	Arm upper cover	1	
2	SL250000	Head cover(ZQ6)	1	ZQ
3	RD240271	Thread guard(With guide)	1	ZQ
4	MH250120	Head cover(DT-ZN)	1	ZN
5	KX240161	Thread guard(With ceramic)	1	ZN
6	SG230280	Oil save felt	1	
7	SG270140	Thread support apron spacer	2	
8	MH270130	Thread support apron a'ssy	1	ZN
9	MH270140	Thread support apron	1	ZN
10	SG270130	Thread support pin	9	ZN
			15	ZQ
11	SG270000	Thread support clamp	9	ZN
			15	ZQ
12	HT270063	Thread support clamp set screw M3x6	9	ZN
			15	ZQ
13	SG270180	Thread support spring	9	ZN
			15	ZQ
14	MH270150	Thread holder spring	1	ZN
15	SL270040	Thread holder spring fixed screw	2	ZQ
			3	ZN
16	SL270000	Thread support apron a'ssy	1	ZQ
17	SL270010	Thread support apron	1	ZQ
18	SL270030	Thread holder spring support	1	ZQ
19	SL270020	Thread holder spring	1	ZQ
20	MK250220	Cap cover set(DT-501)	1	
21	SG250060	Oil holder felt	1	
22	SG250230	Cap cover set	1	
23	A9014168	Brass rivet 2x11.5(Brass)	4	
51		Hex.bolt M5x8 (with washers)		
52		Pan screw M3x8		
53		Hex.socket bolt M4x15 (with washers)		
54		Hex.socket bolt M4x6(With plain washer)		
55		Hex.socket flange bolt M4x25		

05 Jump





# 06-1 Thread Guide (ZN)

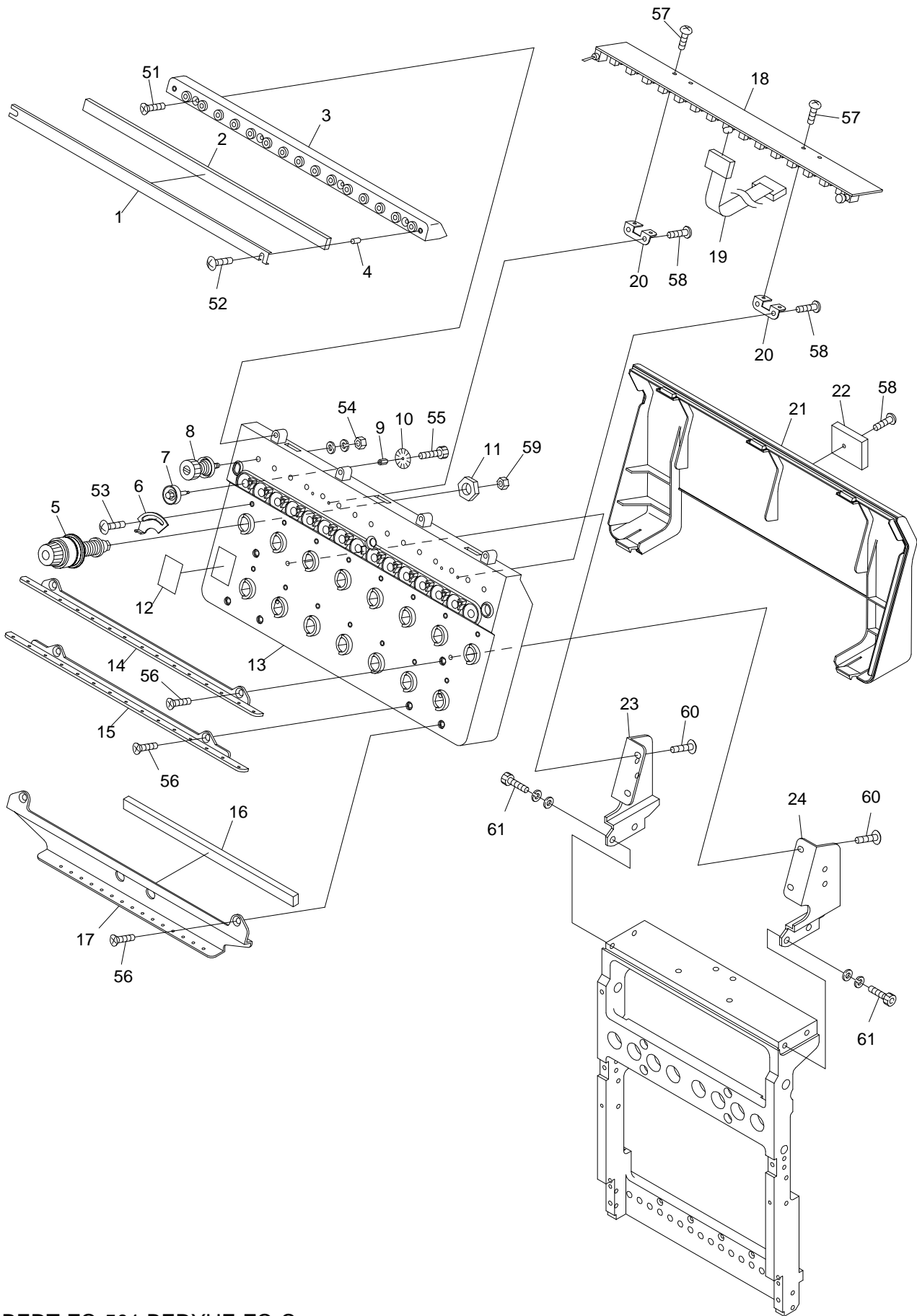




06-1 Thread guide(ZN)

ITEM	L I S T No.	D E S C R I P T I O N		Q'TY	N O T E
1	MK240011	Tension base A'ssy(DT-ZN-501)		1	
2	MH240060	Tension base case a'ssy(DT-ZN)		1	
3	SF240050	Tension base cover(DS-ZN)		1	
4	RR240280	Felt(DSH-YN)		1	
5	RR240300	Tension a'ssy(DS)		9	
6	HT240290	Tension wheel a'ssy		9	
7	HT240101	Lower thread detection sensor disk(YN)		9	
8	RD240154	Dial tension a'ssy(DS)		9	
9	RR240510	Thread spring adjusting plate		9	
10	HT240180	SM-nut		9	
11	RR240310	Thread guide plate upper(DSH-YN)		1	
12	RR240320	Thread guide plate lower(DSH-YN)		1	
13	RR240330	Switch board fixed base		2	
14	RR240340	Tension earth plate(DSH-YN)		1	
15	MH240011	Tension base bracket- R(DS-ZN)		1	
16	MH240021	Tension base bracket- L(DS-ZN)		1	
17	EBY02580	8590- switch board with thread detection		1	
18	MH240030	Second thread guide plate lower(DT-ZN)		1	
19	KN540510	Tension wheel nut		9	
20	SF240061	Tension base cover A(DS-ZN)		1	
21	A9068032	FCW clamp(FCW-26)		1	
22	MH240041	Sponge rubber(DT-ZN)		1	
23	MH240051	Thread guide plate		1	
24	MK240031	Tube control (top)		1	
25	MK240041	Tube control (bottom)		1	
26	MK240050	Felt frame (DT-ZN)		1	
27	MK240060	Felt (DT-ZN)		1	
28	A9012446	Spacer (3x7.5)		2	
51		Truss screw M3x5			
52		Flush screw M4x8			
53		Hex.nut SM11/64(With washers)			
54		Hex.socket bolt M2x3			
55		Pan head tapping screw B tight M3x8			
56		Pan screw M3x4			
57		Pan screw M4x6			
58		Truss screw M4x10			
59		Hex.socket bolt M5x15(With washers)			
60		Truss screw M3x8			
61		Pan head tapping screw B tight M3x5			
62		Hex.socket bolt M3x15			

# 06-2 Thread Guide (ZQ)

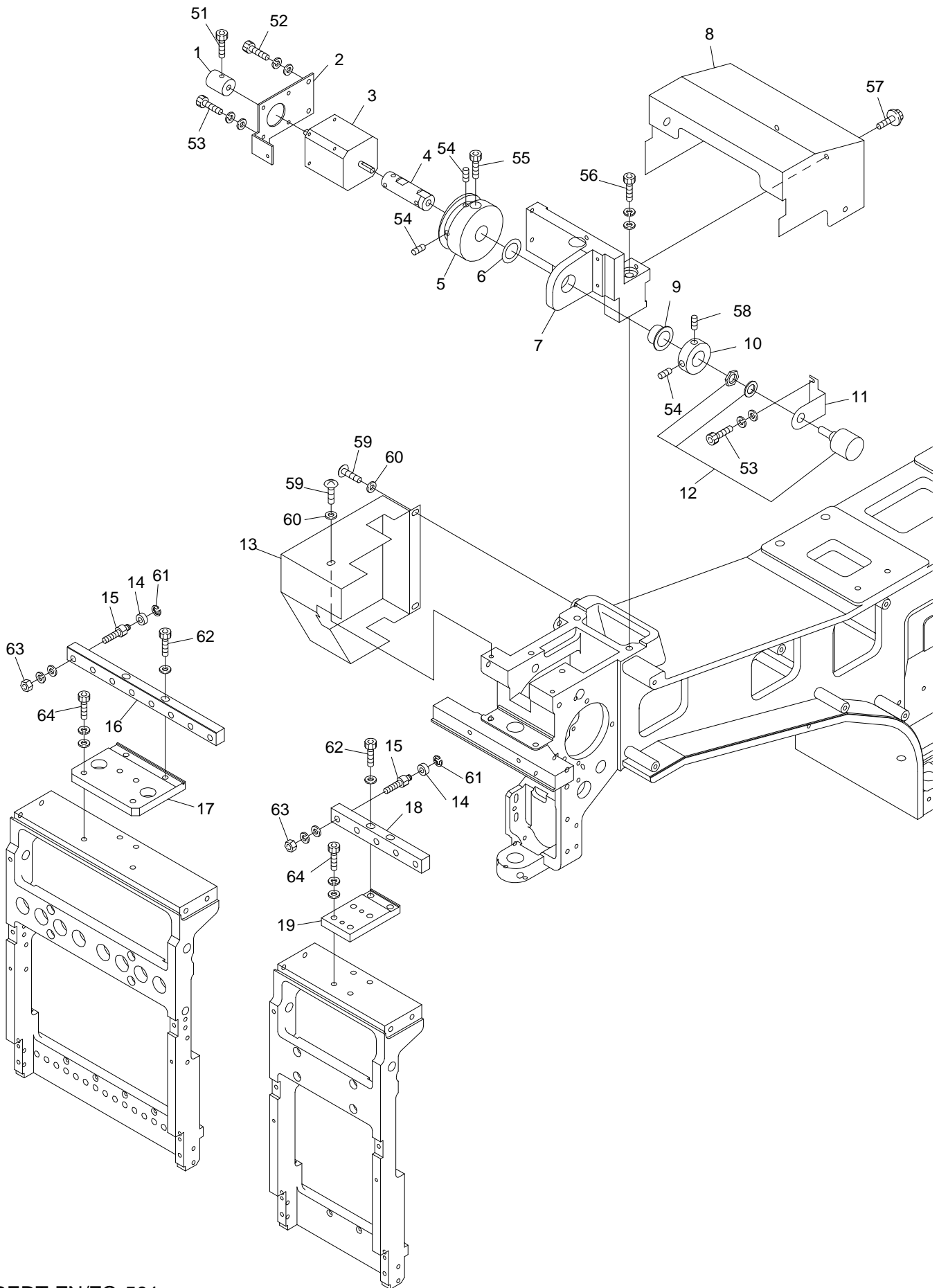


## 06-2 Thread guide(ZQ)

(H=Head Q'TY)

ITEM	L I S T No.	D E S C R I P T I O N	Q'TY	N O T E
1	RV240100	Felt frame(DSH-ZQ)	H x 1	
2	RV240110	Felt(DSH-ZQ)	H x 1	
3	RV240020	Thread collar base(DSH-ZQ)	H x 1	
4	A9012438	Felt hold spacer(DSH-ZQ)	H x 2	
5	RD240154	Dial tension a'ssy(DS)	H x 15	
6	RR240510	Thread spring adjusting plate	H x 15	
7	HT240290	Tension wheel a'ssy	H x 15	
8	RR240300	Tension a'ssy(DS)	H x 15	
9	KN540510	Tension wheel nut	H x 15	
10	HT240101	Lower thread detection sensor disk(YN)	H x 15	
11	HT240180	SM-nut	H x 15	
12	RR240390	Number label	H x 1	DYHE
13	RV240010	Tension base case a'ssy(DSH-ZQ)	H x 1	
14	RV240040	Thread guide plate upper(DSH-ZQ)	H x 1	
15	RV240050	Thread guide plate lower(DSH-ZQ)	H x 1	
16	RV240091	Sponge rubber(DSH-ZQ)	H x 1	
17	RV240062	Second thread guide plate(DSH-ZQ)	H x 1	
18	EBY02610	8560- switch board with thread detection	H x 1	
19	EBY01625	H1842 16 needle flat cable	H x 1	DYHE
20	RR240330	Switch board fixed base	H x 2	
21	SJ240010	Tension base cover(DYHE-ZQ)	H x 1	
22	A9068032	FCW clamp(FCW-26)	H x 1	
23	RV240081	Tension base bracket- L(DSH-ZQ)	H x 1	
24	RV240071	Tension base bracket- R(DSH-ZQ)	H x 1	
51		Flush screw M3x8		
52		Truss screw M3x14		
53		Truss screw M3x5		
54		Hex.nut SM11/64(With washers)		
55		Hex.socket bolt M2x3		
56		Flush screw M4x8		
57		Pan screw M3x4		
58		Pan head tapping screw B tight M3x8		
59		Hex.nut M4		
60		Truss screw M4x10		
61		Hex.socket bolt M5x15(With washers)		

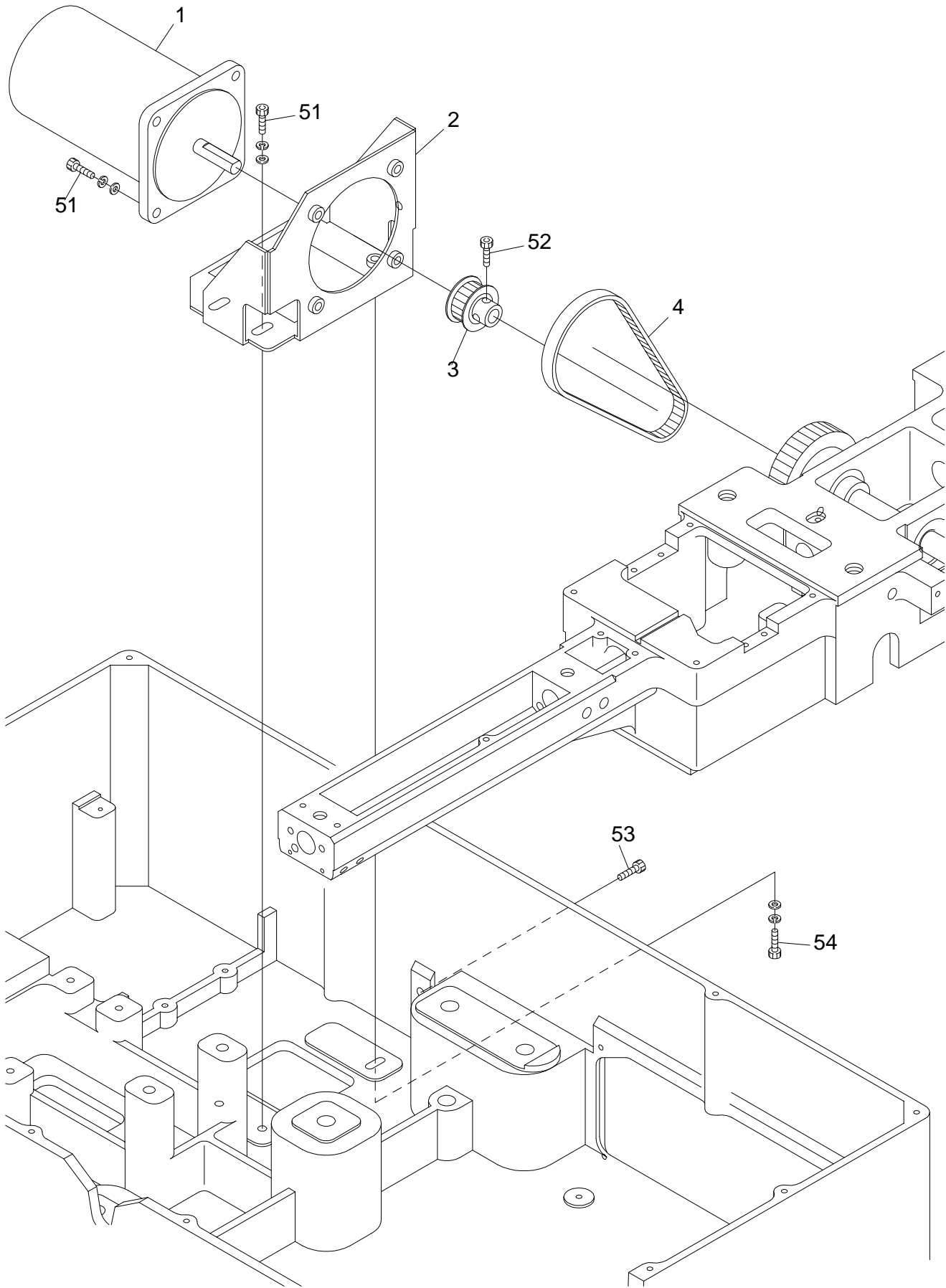
# 07 Color Change



07 Color change

ITEM	L I S T No.	D E S C R I P T I O N		Q'TY	N O T E
1	MG330090	Manual connecting shaft		1	
2	MG330060	Color change motor bracket		1	
3	MG330110	Color change motor(TS3617N111E24)		1	
4	MG330040	Color change cam connecting shaft		1	
5	MG330030	Color change cam		1	
6	A9010109	Polyester slider(STW-FT150)		1	
7	MK330000	Color change base		1	
8	MK250070	Color change cover		1	
9	A9011241	DU bush with flange(MB1510-23FDU)		1	
10	MG330080	Color change set collar		1	
11	MG330070	Potentiometer fixed plate		1	
12	MF510010	Potentiometer(M-22E10-050)		1	
13	MK250081	Upper shaft cover(L)		1	
14	A9010063	Miniature bearing		5	ZN
				8	ZQ
15	KX330160	Connecting roller shaft		5	ZN
				8	ZQ
16	MG330010	Connecting block(ZQ)		1	ZQ
17	MG330000	Connecting base plate(ZQ)		1	ZQ
18	MF330020	Connecting block(ZN)		1	ZN
19	KX330280	Connecting base plate(ZN)		1	ZN
51		Hex.socket bolt M4x8(With nylon)			
52		Hex.socket bolt M4x12(With washer)			
53		Hex.socket bolt M3x6(With washer)			
54		Hex.socket set screw(Flat point) M4x10			
55		Hex.socket bolt M5x16			
56		Hex.socket bolt M6x50(With washer)			
57		Hex.socket flange bolt M4x8			
58		Hex.socket set screw(Cup point) M6x8			
59		Truss screw M4x8(Black chromate)			
60		Nylon washer(4x9x1)			
61		E-ring 3 dia.			
62		Hex.socket bolt M6x25			
63		Hex.nut M6			
64		Hex.socket bolt M5x18			

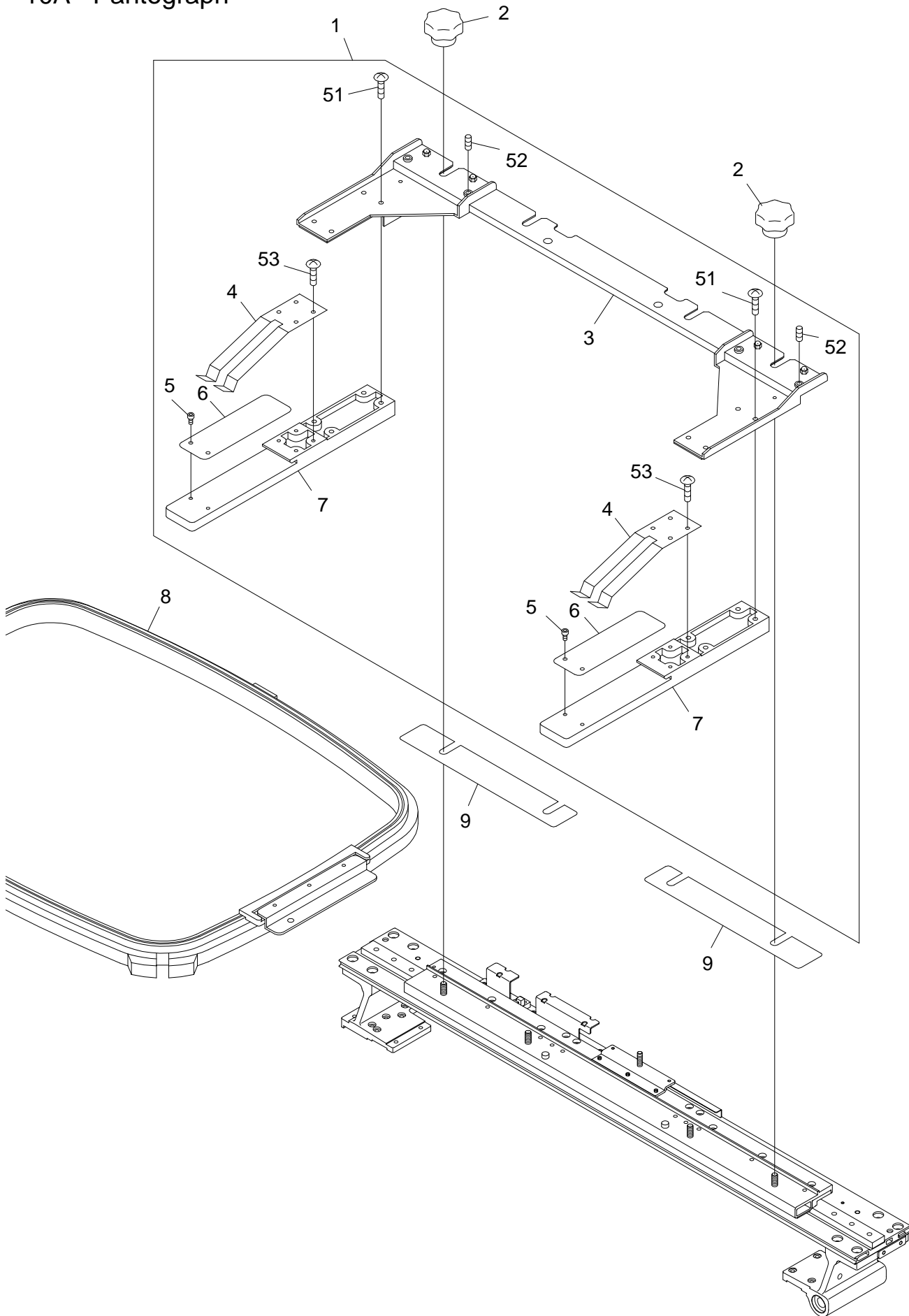
# 08 Drive



08 Drive

ITEM	L I S T No.	D E S C R I P T I O N	Q'TY	N O T E
1	EBY02800	DT(Matusita)100V Main shaft set	1	100V
	MF510030	Main shaft motor(90W 4P PHASE4)	1	200V
2	MK310001	Main shaft motor bracet	1	
3	MK310080	Main shaft motor drive pulley(f 12.P18)	1	100V
	MF310000	Main shaft motor drive pulley	1	200V
4	A9020214	Timing belt(B100S5M390)	1	
51		Hex.socket bolt M6x20(With washers)		
52		Hex.socket bolt M6x8		
53		Hex.socket bolt M6x30		
54		Hex.socket bolt M6x30(With washers)		

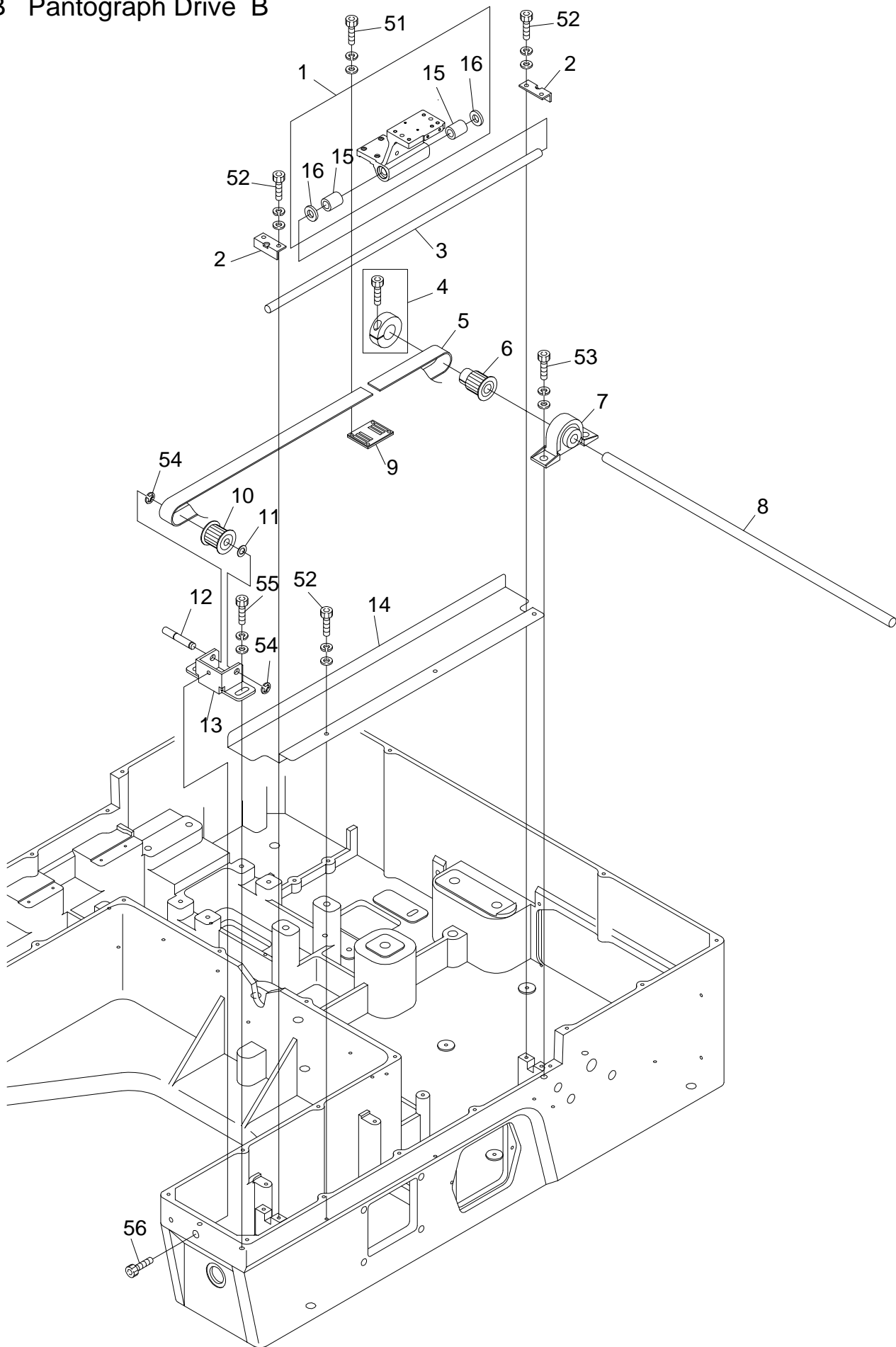
# 10A Pantograph







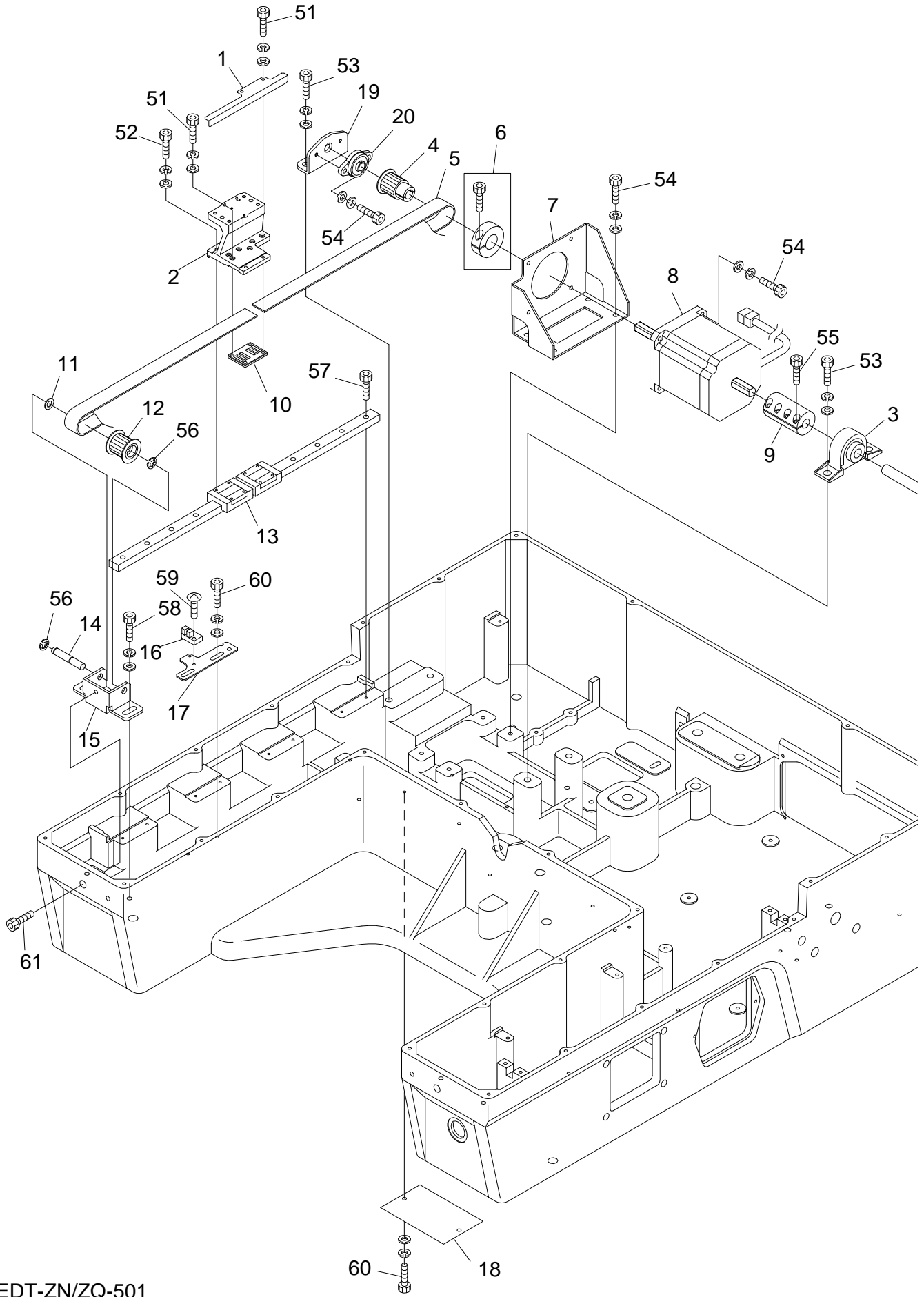
# 10B Pantograph Drive B



10B Pantograph drive B

TEM	L I S T No.	D E S C R I P T I O N	QTY	N O T E
1	MK480001	H-shaft joint bracket(R)	1	
2	MK480050	Guide shaft holder plate	2	
3	A9011256	Guide holder(SF10 g6-450L)	1	
4	HH481980	19 clamp	1	
5	A9020215	Timing belt(B200S5M?1120mm)	1	
6	MH480030	H-shaft motor drive pulley	1	
7	A9011236	Pillow block(SBPP 201F)	1	
8	MK480030	H-shaft connecting shaft	1	
9	MK480060	H-shaft belt clamp plate	1	
10	MH480040	H-shaft motor timing pulley	1	
11	A9012164	Thrust washer(R-TW0815)	1	
12	MH480120	H-shaft belt tension shaft	1	
13	MK480040	H-shaft belt tension bracket	1	
14	MK250101	H-shaft guard plate	1	
15	A9011103	Slide shaft holder metal bush(SMZ10-20)	2	
16	A9011123	Felt seal (FLM10)	2	
51		Hex.socket bolt M3×12(With washers)		
52		Hex.socket bolt M4×12(With washers)		
53		Hex.socket bolt M8×20(With washers)		
54		E-ring 6		
55		Hex.socket bolt M6×20(With washers)		
56		Hex.socket bolt M5×20		

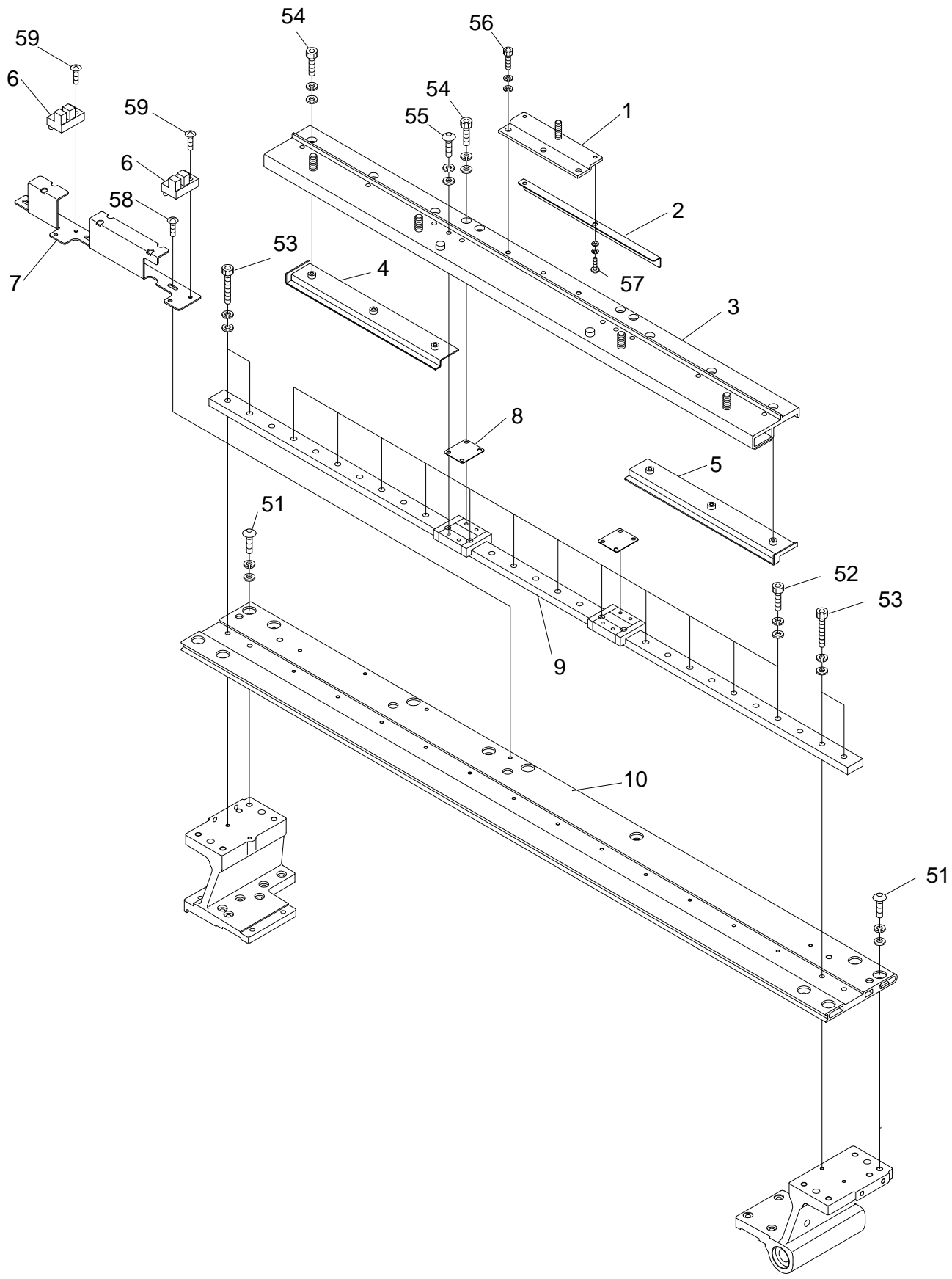
# 10C Pantograph Drive C



10C Pantograph drive C

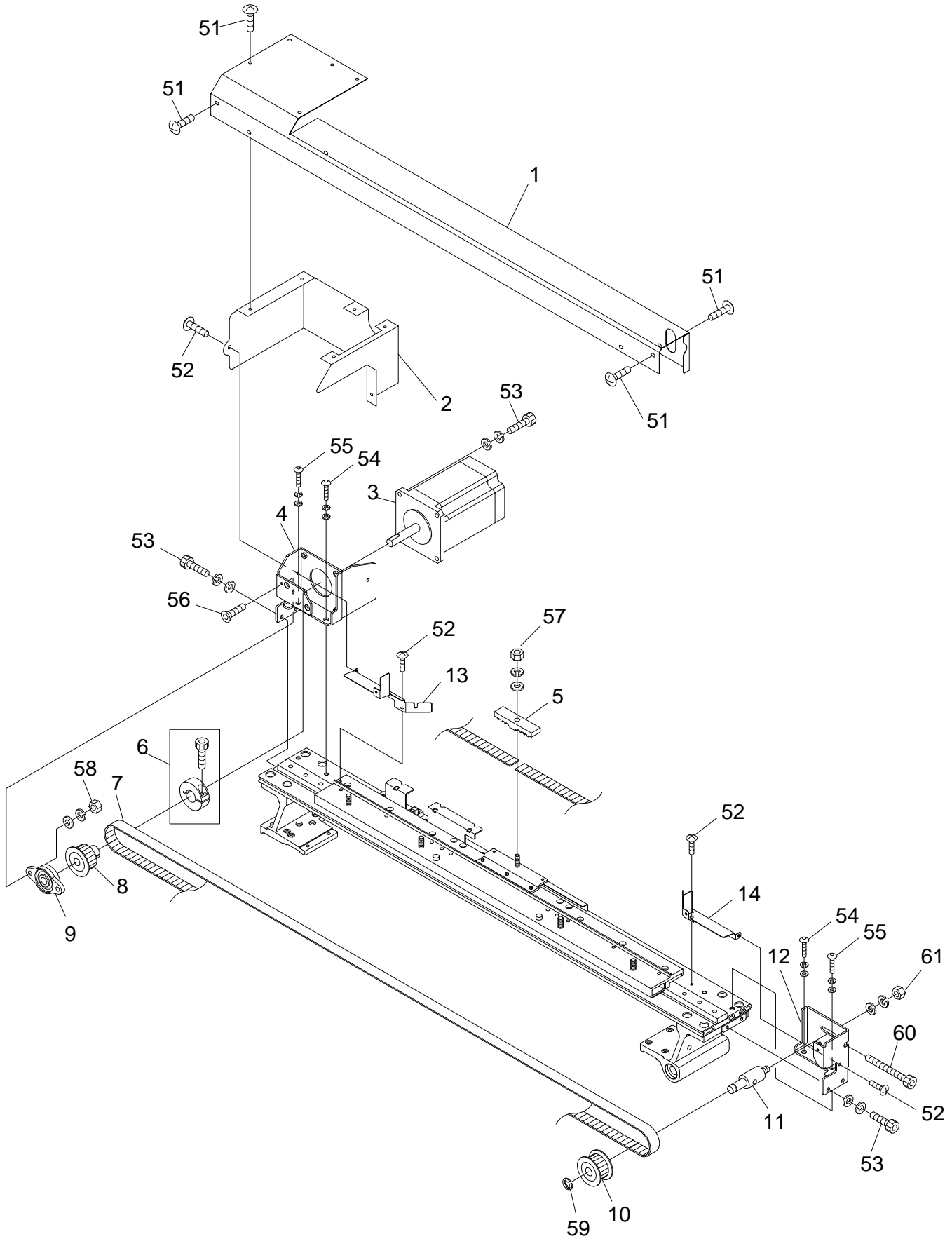
ITEM	L I S T No.	D E S C R I P T I O N		QTY	N O T E
1	MK480080	H-shaft origin point detector plate		1	
2	MK480011	H-shaft joint bracket(L)		1	
3	A9011236	Pillow block(SBPP 201F)		1	
4	MH480030	H-shaft motor drive pulley		1	
5	A9020215	Timing belt(B200S5M?1120mm)		1	
6	HH481980	19 clamp		1	
7	MK480020	H-shaft motor bracket		1	
8	MH480290	Pluse motor double shaft TS3630N1208E10		1	
9	MH480060	H-shaft connecting coupling		1	
10	MK480060	H-shaft belt clamp plate		1	
11	A9012164	Thrust washer(R-TW0815)		2	
12	MH480040	H-shaft motor timing pulley		1	
13	A9011257	LM guide(2RSR15MUU+430L)		1	
14	MH480120	H-shaft belt tension shaft		1	
15	MK480040	H-shaft belt tension bracket		1	
16	EBY02710	Origin point sensor(DT)		1	
17	MK480070	H-shaft origin point sensor bracket		1	
18	MK250090	H-shaft motor bracket air well cover		1	
19	A9011044	Shaft holder unit (UFL001)		1	
20	MK480240	H-Shaft holder bracket		1	
51		Hex.socket bolt M3x12(With washers)			
52		Hex.socket bolt M3x10(With washers)			
53		Hex.socket bolt M8x20(With washers)			
54		Hex.socket bolt M5x15(With washers)			
55		Hex.socket bolt M4x15			
56		E-ring 6			
57		Hex.socket bolt M3x12			
58		Hex.socket bolt M6x20(With washers)			
59		Truss screw M3x8			
60		Hex.socket bolt M4x12(With washers)			
61		Hex.socket bolt M5x20			

# 10D Pantograph Drive D





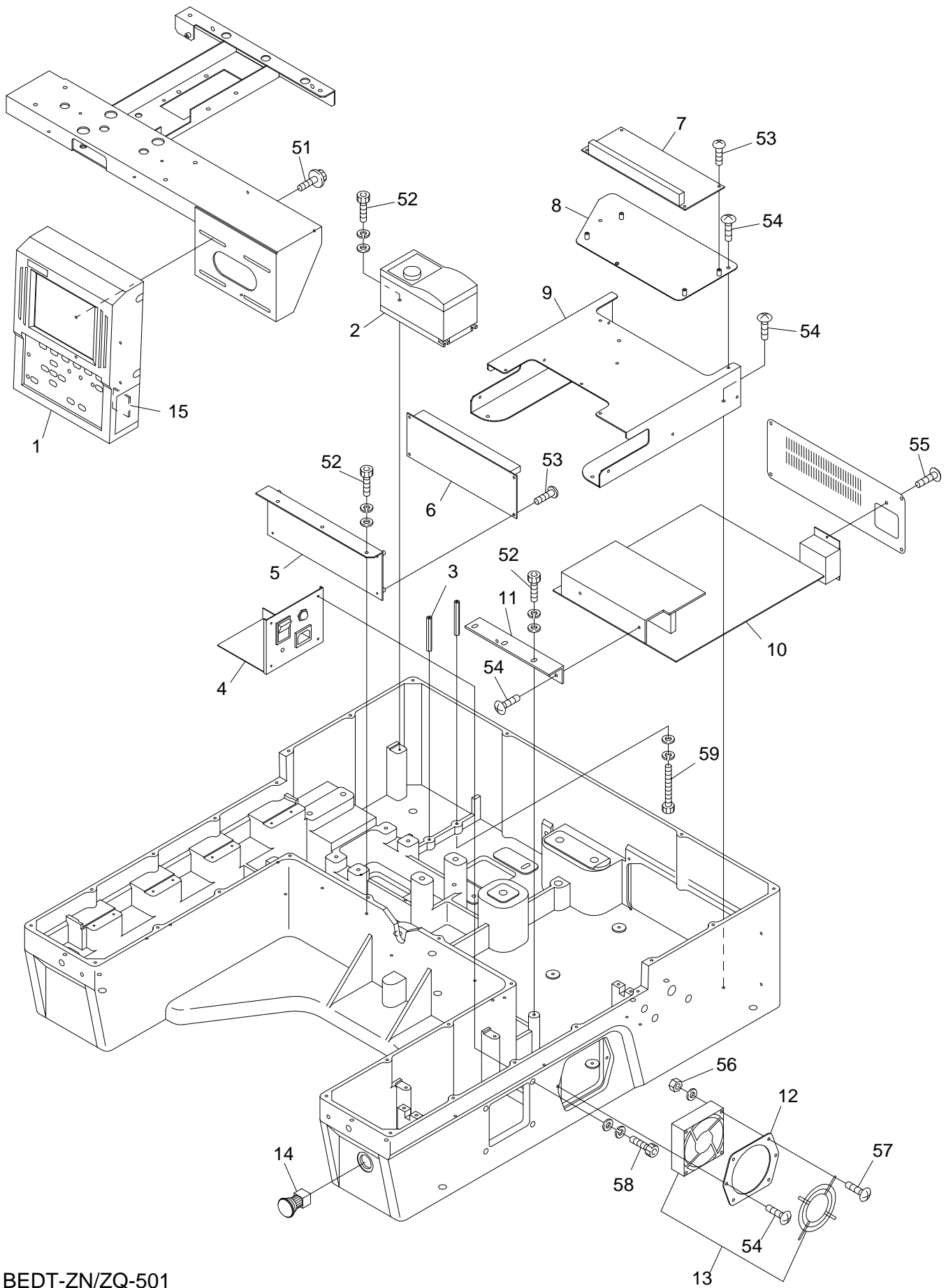
# 10E Pantograph Drive E





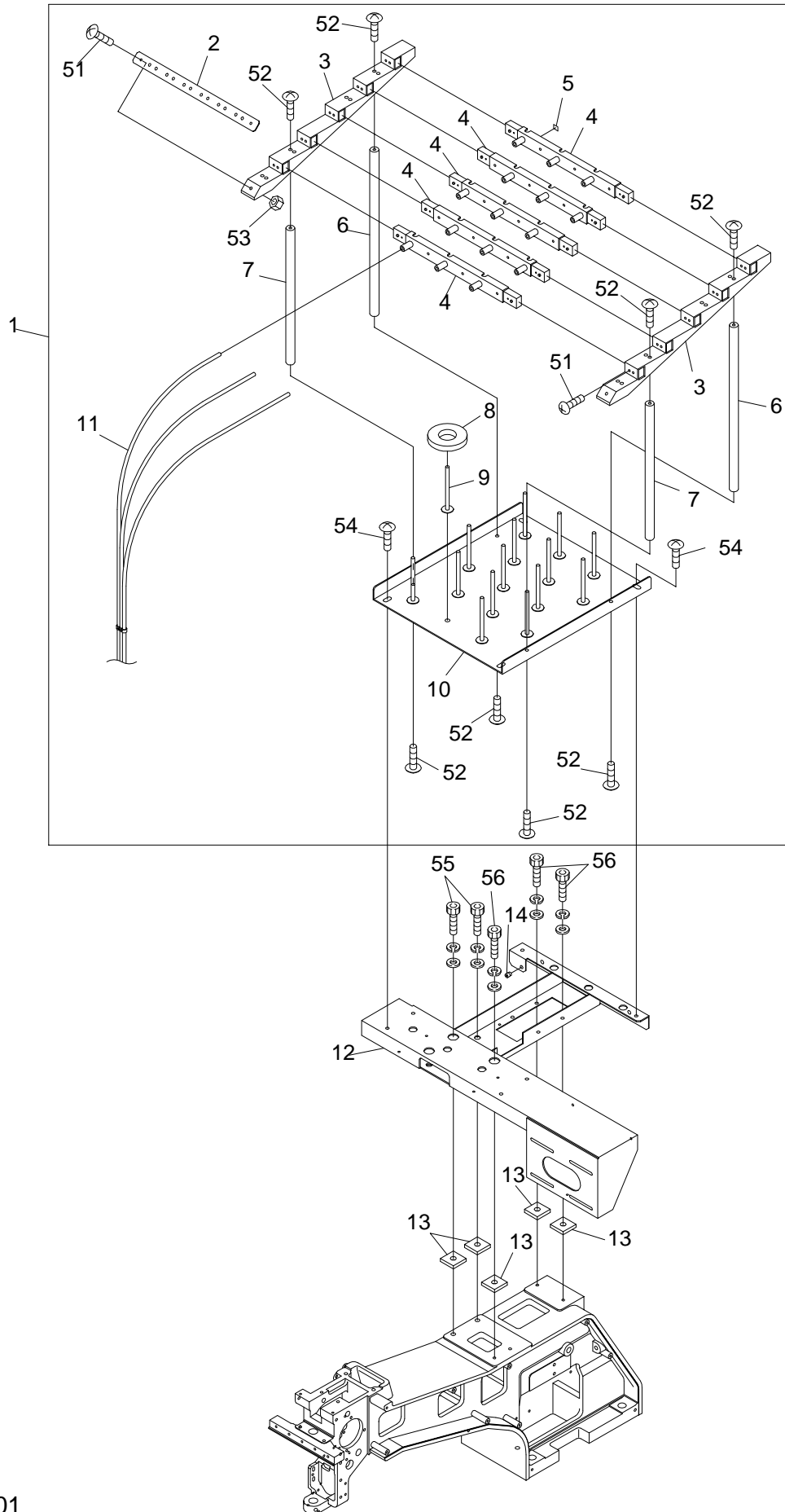


# 11 Control





# 12 Accessories (ZN/ZQ)





I N D E X

LIST No.	SECTION	ITEM	LIST No.	SECTION	ITEM
A 9 0 1 0 0 0 4	0 1 B	15	A 9 0 5 2 0 2 8	0 2 C	3
A 9 0 1 0 0 6 3	0 7	14	A 9 0 5 2 0 7 8	0 2 B	1
A 9 0 1 0 0 6 5	0 4 C	18	A 9 0 5 4 0 5 4	1 1	15
A 9 0 1 0 0 7 3	0 3	18	A 9 0 5 6 0 3 9	0 5	1
A 9 0 1 0 1 0 9	0 7	6	A 9 0 5 6 0 4 0	0 2 A	16
A 9 0 1 1 0 4 4	1 0 C	19	A 9 0 5 6 0 4 1	0 2 C	1
A 9 0 1 1 1 0 3	1 0 B	15	A 9 0 5 6 0 4 2	0 4 C	28
A 9 0 1 1 1 2 3	1 0 B	16	A 9 0 6 8 0 3 2	0 6 - 1	21
A 9 0 1 1 2 3 6	1 0 B	7	A 9 0 6 8 0 3 2	0 6 - 2	22
A 9 0 1 1 2 3 6	1 0 C	3	E A Y 0 7 0 A 1	1 1	1
A 9 0 1 1 2 4 1	0 7	9	E B Y 0 1 6 2 5	0 6 - 2	19
A 9 0 1 1 2 4 8	0 4 A - 1	30	E B Y 0 1 7 1 0	1 1	14
A 9 0 1 1 2 5 0	1 0 E	9	E B Y 0 2 5 8 0	0 6 - 1	17
A 9 0 1 1 2 5 1	0 3	28	E B Y 0 2 6 1 0	0 6 - 2	18
A 9 0 1 1 2 5 6	1 0 B	3	E B Y 0 2 6 2 0	1 1	10
A 9 0 1 1 2 5 7	1 0 C	13	E B Y 0 2 6 5 0	1 1	6
A 9 0 1 1 2 6 0	1 0 D	9	E B Y 0 2 6 6 1	1 1	7
A 9 0 1 2 0 2 7	0 1 A	11	E B Y 0 2 6 7 0	1 1	2
A 9 0 1 2 0 5 3	0 4 C	13	E B Y 0 2 7 1 0	1 0 C	16
A 9 0 1 2 1 1 4	0 2 B	12	E B Y 0 2 7 2 0	1 1	13
A 9 0 1 2 1 2 7	0 4 C	24	E B Y 0 2 7 5 0	1 0 D	6
A 9 0 1 2 1 6 4	1 0 B	11	E B Y 0 2 7 6 1	1 1	4
A 9 0 1 2 1 6 4	1 0 C	11	E B Y 0 2 8 0 0	0 8	1
A 9 0 1 2 3 6 8	0 4 B	9	F N 0 7 0 0 1 1 S N Y	0 4 A - 1	15
A 9 0 1 2 4 2 1	0 3	19	F N 0 7 0 0 1 1 S N Y	0 4 A - 2	14
A 9 0 1 2 4 3 3	0 0	3	F R 9 2 3 3 0 4 3 8 A 5 2 0 A	1 0 A	8
A 9 0 1 2 4 3 7	1 0 A	2	H B 2 3 0 0 7 0	0 3	22
A 9 0 1 2 4 3 8	0 6 - 2	4	H B 2 3 0 0 8 0	0 3	21
A 9 0 1 2 4 3 9	0 1 B	16	H B 2 3 0 2 0 0	0 4 B	5
A 9 0 1 2 4 4 6	0 6 - 1	28	H B 2 3 0 2 2 0	0 4 C	9
A 9 0 1 3 0 6 6	0 2 A	12	H B 2 3 0 2 6 1	0 4 C	8
A 9 0 1 3 0 7 1	0 1 B	19	H B 2 3 0 2 7 1	0 4 C	3
A 9 0 1 3 0 7 2	1 0 E	6	H B 2 3 0 2 8 1	0 4 C	6
A 9 0 1 4 1 6 6	0 4 C	21	H B 2 3 0 3 6 1	0 4 C	5
A 9 0 1 4 1 6 7	0 4 A - 1	20	H B 2 3 0 6 2 0	0 3	24
A 9 0 1 4 1 6 7	0 4 A - 2	19	H B 2 3 0 6 5 0	0 3	7
A 9 0 1 4 1 6 8	0 4 D	23	H B 2 3 0 8 0 0	0 3	1
A 9 0 1 9 0 3 7	0 4 C	15	H B 2 4 0 0 2 0	0 5	6
A 9 0 1 9 0 7 1	0 0	13	H B 2 4 0 0 3 0	0 5	7
A 9 0 2 0 2 1 0	0 1 B	7	H B 2 4 0 0 4 1	0 5	9
A 9 0 2 0 2 1 4	0 8	4	H H 4 8 1 9 8 0	0 1 B	18
A 9 0 2 0 2 1 5	1 0 B	5	H H 4 8 1 9 8 0	0 3	33
A 9 0 2 0 2 1 5	1 0 C	5	H H 4 8 1 9 8 0	1 0 B	4
A 9 0 2 0 2 1 6	1 0 E	7	H H 4 8 1 9 8 0	1 0 C	6
A 9 0 2 0 2 1 7	0 1 B	9	H P 2 3 1 3 7 0	0 4 B	26

I N D E X

LIST No.	SECTION	ITEM	LIST No.	SECTION	ITEM
HS 2 1 0 0 3 1	0 1 A	9	KC 2 7 0 1 0 1	0 4 C	27
HS 2 1 0 0 5 1	0 2 A	1	KC 2 7 1 0 0 1	0 2 A	3
HS 2 1 0 0 8 0	0 2 A	20	KC 2 7 1 1 2 0	0 2 B	11
HS 2 1 0 3 0 0	0 2 A	2	KC 2 7 1 9 4 0	0 2 A	19
HS 2 2 0 0 1 0	0 1 A	6	KF 2 2 0 2 3 0	0 1 A	5
HT 2 2 0 0 6 1	0 1 A	18	KF 2 2 0 2 4 0	0 1 A	4
HT 2 3 0 1 2 0	0 4 A - 1	11	KF 2 2 0 2 9 0	0 1 A	17
HT 2 3 0 1 2 0	0 4 A - 2	10	KF 2 2 0 5 3 0	0 1 A	2
HT 2 3 0 2 2 0	0 5	4	KF 2 2 0 7 1 0	0 1 A	3
HT 2 3 0 2 5 1	0 4 A - 1	5	KF 2 2 1 0 2 0	0 1 A	1
HT 2 3 0 2 6 3	0 4 A - 1	7	KF 2 3 0 5 0 1	0 3	10
HT 2 3 0 2 6 3	0 4 A - 2	6	KF 2 3 0 6 8 0	0 3	11
HT 2 3 0 2 8 0	0 4 B	12	KF 2 3 0 9 1 0	0 4 A - 1	10
HT 2 3 0 2 9 0	0 4 B	7	KF 2 3 0 9 1 0	0 4 A - 2	9
HT 2 3 0 3 2 0	0 4 B	27	KF 7 1 0 3 9 0	1 2	8
HT 2 3 0 3 3 0	0 4 A - 1	6	KL 2 2 0 1 4 0	0 1 A	12
HT 2 3 0 3 3 0	0 4 A - 2	5	KL 2 7 0 0 9 1	0 2 C	8
HT 2 3 0 3 4 0	0 4 B	31	KL 2 7 0 1 0 1	0 2 C	9
HT 2 3 0 4 1 0	0 4 C	7	KL 2 7 0 1 2 0	0 2 C	11
HT 2 3 0 4 2 0	0 4 C	10	KL 2 7 0 1 3 1	0 2 C	10
HT 2 3 0 4 6 0	0 4 B	23	KL 2 7 0 2 6 0	0 2 C	2
HT 2 3 0 4 7 1	0 4 B	15	KL 2 7 0 4 5 0	0 2 C	7
HT 2 3 0 4 8 0	0 4 B	24	KN 2 7 2 0 1 0	0 2 A	13
HT 2 3 0 4 9 1	0 4 B	16	KN 2 7 2 4 0 1	0 2 A	18
HT 2 3 0 5 0 0	0 4 B	25	KN 2 7 2 4 0 1	0 2 C	5
HT 2 3 0 5 1 0	0 4 B	6	KN 5 4 0 5 1 0	0 6 - 1	19
HT 2 3 0 5 2 0	0 4 B	8	KN 5 4 0 5 1 0	0 6 - 2	9
HT 2 3 0 5 6 0	0 4 B	13	KX 2 3 0 0 4 0	0 4 A - 1	26
HT 2 3 0 6 2 0	0 5	5	KX 2 3 0 0 7 1	0 4 B	4
HT 2 3 0 7 3 0	0 4 B	17	KX 2 4 0 1 6 1	0 4 D	5
HT 2 3 0 7 5 0	0 4 B	14	KX 2 5 0 0 8 0	0 1 A	13
HT 2 3 0 7 6 0	0 4 B	21	KX 2 5 0 0 8 0	0 2 A	5
HT 2 3 0 7 7 0	0 4 B	22	KX 2 7 0 0 0 0	0 2 A	22
HT 2 4 0 1 0 1	0 6 - 1	7	KX 2 7 0 0 1 0	0 2 A	10
HT 2 4 0 1 0 1	0 6 - 2	10	KX 2 7 0 0 5 0	0 2 C	13
HT 2 4 0 1 8 0	0 6 - 1	10	KX 2 7 0 0 7 0	0 2 C	15
HT 2 4 0 1 8 0	0 6 - 2	11	KX 2 7 0 3 7 0	0 2 C	14
HT 2 4 0 2 9 0	0 6 - 1	6	KX 2 7 0 4 3 0	0 2 A	21
HT 2 4 0 2 9 0	0 6 - 2	7	KX 3 3 0 1 6 0	0 7	15
HT 2 4 0 4 8 0	1 2	14	KX 3 3 0 2 8 0	0 7	19
HT 2 5 0 2 5 1	0 4 A - 2	4	LA 2 3 0 0 8 0	0 4 C	14
HT 2 7 0 0 6 3	0 4 D	12	LA 2 3 0 1 4 0	0 4 C	16
HT 2 7 0 1 8 1	0 2 A	14	LA 2 5 0 0 4 0	0 1 A	15
HT 7 1 0 0 0 0	1 2	9	LA 2 7 0 0 4 0	0 2 A	17
KC 2 5 0 4 8 2	0 1 A	10	LA 2 7 0 0 8 0	0 2 C	16

I N D E X

LIST No.	SECTION	ITEM	LIST No.	SECTION	ITEM
LA 2 7 0 1 2 0	0 2 C	16	MH 2 4 0 0 2 1	0 6 - 1	16
LA 2 7 0 1 5 0	0 2 C	12	MH 2 4 0 0 3 0	0 6 - 1	18
LA 2 7 0 1 6 0	0 2 C	12	MH 2 4 0 0 4 1	0 6 - 1	22
LA 7 3 0 6 0 0	1 0 A	7	MH 2 4 0 0 5 1	0 6 - 1	23
LA 7 3 0 6 1 0	1 0 A	5	MH 2 4 0 0 6 0	0 6 - 1	2
LA 7 3 0 6 3 0	1 0 A	6	MH 2 5 0 1 2 0	0 4 D	4
LA 7 3 0 6 5 0	1 0 A	4	MH 2 7 0 1 3 0	0 4 D	8
MB 2 9 5 2 5 0	0 2 B	4	MH 2 7 0 1 4 0	0 4 D	9
MB 2 9 5 2 6 0	0 2 B	7	MH 2 7 0 1 5 0	0 4 D	14
MB 2 9 5 2 7 0	0 2 B	6	MH 3 1 0 0 1 1	0 1 B	20
MB 2 9 5 2 9 0	0 2 B	5	MH 3 1 0 0 9 1	0 1 B	8
MF 2 1 0 0 7 0	0 2 B	3	MH 4 8 0 0 3 0	1 0 B	6
MF 2 1 0 0 8 0	0 2 B	2	MH 4 8 0 0 3 0	1 0 C	4
MF 3 1 0 0 0 0	0 8	3	MH 4 8 0 0 4 0	1 0 B	10
MF 3 3 0 0 2 0	0 7	18	MH 4 8 0 0 4 0	1 0 C	12
MF 5 1 0 0 0 0	0 1 B	21	MH 4 8 0 0 6 0	1 0 C	9
MF 5 1 0 0 1 0	0 7	12	MH 4 8 0 1 2 0	1 0 B	12
MF 5 1 0 0 2 0	0 2 B	10	MH 4 8 0 1 2 0	1 0 C	14
MF 5 1 0 0 3 0	0 8	1	MH 4 8 0 1 8 0	1 0 E	8
MG 2 1 0 0 5 0	0 2 B	9	MH 4 8 0 1 9 0	1 0 E	10
MG 2 1 0 0 7 0	0 2 B	8	MH 4 8 0 2 3 0	1 0 E	5
MG 3 3 0 0 0 0	0 7	17	MH 4 8 0 2 4 0	1 0 E	11
MG 3 3 0 0 1 0	0 7	16	MH 4 8 0 2 8 0	1 0 E	3
MG 3 3 0 0 3 0	0 7	5	MH 4 8 0 2 9 0	1 0 C	8
MG 3 3 0 0 4 0	0 7	4	MH 7 1 0 0 5 1	1 2	13
MG 3 3 0 0 6 0	0 7	2	MH 7 9 0 0 1 0	0 0	10
MG 3 3 0 0 7 0	0 7	11	MK 1 1 0 0 0 2	0 0	11
MG 3 3 0 0 8 0	0 7	10	MK 1 1 0 0 1 0	0 0	15
MG 3 3 0 0 9 0	0 7	1	MK 1 2 0 0 0 0	0 0	1
MG 3 3 0 1 1 0	0 7	3	MK 1 2 0 0 1 0	0 0	2
MH 1 2 0 0 1 0	0 0	5	MK 1 2 0 0 2 0	0 0	4
MH 2 3 0 0 0 2	0 4 A - 1	1	MK 2 1 0 0 2 1	0 1 B	4
MH 2 3 0 0 1 3	0 4 A - 1	24	MK 2 1 0 0 3 1	0 1 A	16
MH 2 3 0 0 2 2	0 4 A - 1	25	MK 2 1 0 0 4 0	0 1 A	8
MH 2 3 0 0 3 1	0 4 A - 1	21	MK 2 2 0 0 0 0	0 1 A	7
MH 2 3 0 0 4 0	0 4 A - 1	23	MK 2 2 0 0 1 0	0 3	31
MH 2 3 0 1 0 0	0 4 A - 1	22	MK 2 3 0 0 0 0	0 1 B	17
MH 2 3 0 1 1 0	0 4 A - 1	19	MK 2 3 0 0 0 0	0 3	32
MH 2 3 0 1 4 0	0 4 B	1	MK 2 3 0 0 1 0	0 4 A - 1	28
MH 2 3 0 1 5 0	0 4 C	1	MK 2 3 0 0 1 0	0 4 A - 2	27
MH 2 3 0 1 6 1	0 5	2	MK 2 3 0 0 2 0	0 4 A - 1	27
MH 2 3 0 1 7 0	0 4 B	3	MK 2 3 0 0 2 0	0 4 A - 2	26
MH 2 3 0 1 8 0	0 4 B	2	MK 2 3 0 0 4 0	0 4 A - 1	18
MH 2 3 0 2 0 0	0 4 B	28	MK 2 3 0 0 4 0	0 4 A - 2	17
MH 2 4 0 0 1 1	0 6 - 1	15	MK 2 3 0 0 5 0	0 4 A - 1	17



I N D E X

LIST No.	SECTION	ITEM	LIST No.	SECTION	ITEM
MK 2 3 0 0 5 0	0 4 A - 2	16	MK 3 1 0 0 8 0	0 8	3
MK 2 3 0 0 7 1	0 4 C	11	MK 3 1 0 0 9 0	1 1	3
MK 2 3 0 0 8 0	0 4 C	12	MK 3 2 0 0 0 1	0 1 B	10
MK 2 3 0 0 9 0	0 4 A - 1	16	MK 3 3 0 0 0 0	0 7	7
MK 2 3 0 0 9 0	0 4 A - 2	15	MK 4 8 0 0 0 1	1 0 B	1
MK 2 3 0 1 0 0	0 4 A - 2	28	MK 4 8 0 0 1 1	1 0 C	2
MK 2 3 0 1 1 0	0 4 A - 1	29	MK 4 8 0 0 2 0	1 0 C	7
MK 2 3 0 1 2 0	0 3	8	MK 4 8 0 0 3 0	1 0 B	8
MK 2 3 0 1 3 0	0 3	2	MK 4 8 0 0 4 0	1 0 B	13
MK 2 4 0 0 1 1	0 6 - 1	1	MK 4 8 0 0 4 0	1 0 C	15
MK 2 4 0 0 3 1	0 6 - 1	24	MK 4 8 0 0 5 0	1 0 B	2
MK 2 4 0 0 4 1	0 6 - 1	25	MK 4 8 0 0 6 0	1 0 B	9
MK 2 4 0 0 5 0	0 6 - 1	26	MK 4 8 0 0 6 0	1 0 C	10
MK 2 4 0 0 6 0	0 6 - 1	27	MK 4 8 0 0 7 0	1 0 C	17
MK 2 5 0 0 0 0	0 1 A	14	MK 4 8 0 0 8 0	1 0 C	1
MK 2 5 0 0 1 1	0 0	7	MK 4 8 0 0 9 1	1 0 E	4
MK 2 5 0 0 2 1	0 0	6	MK 4 8 0 1 0 1	1 0 E	12
MK 2 5 0 0 3 0	0 0	9	MK 4 8 0 1 5 1	1 0 D	7
MK 2 5 0 0 4 0	0 0	8	MK 4 8 0 1 6 1	1 0 D	2
MK 2 5 0 0 5 0	0 0	12	MK 4 8 0 2 4 0	1 0 C	20
MK 2 5 0 0 6 0	0 0	14	MK 4 8 0 2 5 0	1 0 D	1
MK 2 5 0 0 7 0	0 7	8	MK 4 8 0 2 6 0	1 0 D	10
MK 2 5 0 0 8 1	0 7	13	MK 4 8 0 2 7 0	1 0 D	3
MK 2 5 0 0 9 0	1 0 C	18	MK 4 8 0 2 8 0	1 0 E	13
MK 2 5 0 1 0 1	1 0 B	14	MK 4 8 0 2 9 0	1 0 E	14
MK 2 5 0 1 1 1	1 0 E	1	MK 4 8 0 3 0 0	1 0 D	5
MK 2 5 0 1 2 1	1 0 E	2	MK 4 8 0 3 1 0	1 0 D	8
MK 2 5 0 1 3 1	0 1 B	1	MK 4 8 0 3 2 0	1 0 D	4
MK 2 5 0 1 4 0	1 1	9	MK 7 1 0 0 0 0	1 2	1
MK 2 5 0 1 5 0	1 1	11	MK 7 1 0 0 1 0	1 2	12
MK 2 5 0 1 7 0	1 1	5	MK 7 1 0 0 2 0	1 2	1
MK 2 5 0 1 8 0	1 1	12	MK 7 3 0 0 1 3	1 0 A	3
MK 2 5 0 1 9 0	0 1 B	2	MK 7 3 0 0 5 0	1 0 A	1
MK 2 5 0 2 1 0	1 1	8	MK 7 3 0 0 6 0	1 0 A	9
MK 2 5 0 2 2 0	0 4 D	20	MK 7 9 0 0 0 0	0 1 B	12
MK 2 7 0 0 0 0	0 2 A	15	MM 2 7 0 0 0 0	0 4 C	19
MK 2 7 0 0 1 0	0 2 A	4	RD 2 3 0 0 6 0	0 4 A - 2	23
MK 3 1 0 0 0 1	0 8	2	RD 2 3 0 1 3 0	0 3	9
MK 3 1 0 0 1 0	0 1 B	3	RD 2 3 0 2 5 0	0 5	8
MK 3 1 0 0 2 0	0 1 B	5	RD 2 3 0 3 7 0	0 4 A - 1	9
MK 3 1 0 0 3 0	0 1 B	6	RD 2 3 0 3 7 0	0 4 A - 2	8
MK 3 1 0 0 4 1	0 3	13	RD 2 3 0 4 8 0	0 4 A - 1	2
MK 3 1 0 0 5 0	0 3	29	RD 2 3 0 4 8 0	0 4 A - 2	1
MK 3 1 0 0 6 0	0 1 B	14	RD 2 3 0 4 9 0	0 4 A - 1	3
MK 3 1 0 0 7 0	0 1 B	13	RD 2 3 0 4 9 0	0 4 A - 2	2

I N D E X

L I S T No.	SECTION	ITEM	L I S T No.	SECTION	ITEM
R D 2 4 0 1 5 4	0 6 - 1	8	R R 2 4 0 3 3 0	0 6 - 1	13
R D 2 4 0 1 5 4	0 6 - 2	5	R R 2 4 0 3 3 0	0 6 - 2	20
R D 2 4 0 2 7 1	0 4 D	3	R R 2 4 0 3 4 0	0 6 - 1	14
R D 2 7 0 0 2 0	0 2 C	14	R R 2 4 0 3 9 0	0 6 - 2	12
R D 2 7 0 0 4 0	0 2 C	13	R R 2 4 0 5 1 0	0 6 - 1	9
R D 7 1 0 3 1 0	1 2	11	R R 2 4 0 5 1 0	0 6 - 2	6
R D 7 1 0 3 3 0	1 2	4	R V 2 3 0 2 5 0	0 4 B	30
R D 7 1 0 3 4 0	1 2	3	R V 2 4 0 0 1 0	0 6 - 2	13
R D 7 1 0 3 5 1	1 2	7	R V 2 4 0 0 2 0	0 6 - 2	3
R D 7 1 0 3 6 1	1 2	6	R V 2 4 0 0 4 0	0 6 - 2	14
R D 7 1 0 3 7 0	1 2	2	R V 2 4 0 0 5 0	0 6 - 2	15
R D 7 1 0 3 8 0	1 2	5	R V 2 4 0 0 6 2	0 6 - 2	17
R H 2 3 0 2 7 1	0 3	27	R V 2 4 0 0 7 1	0 6 - 2	24
R H 2 3 0 2 8 0	0 3	26	R V 2 4 0 0 8 1	0 6 - 2	23
R H 2 3 0 3 0 0	0 3	25	R V 2 4 0 0 9 1	0 6 - 2	16
R H 2 3 0 3 1 1	0 3	4	R V 2 4 0 1 0 0	0 6 - 2	1
R H 2 3 0 3 2 0	0 3	12	R V 2 4 0 1 1 0	0 6 - 2	2
R H 2 3 0 3 3 0	0 3	30	R V 2 5 0 0 7 0	0 4 D	1
R H 2 3 0 4 1 0	0 4 A - 1	4	S C 7 1 0 0 1 0	1 2	10
R H 2 3 0 4 1 0	0 4 A - 2	3	S F 2 4 0 0 5 0	0 6 - 1	3
R H 2 3 0 4 4 0	0 4 A - 1	12	S F 2 4 0 0 6 1	0 6 - 1	20
R H 2 3 0 4 4 0	0 4 A - 2	11	S G 2 3 0 0 0 0	0 4 B	29
R H 2 3 0 4 5 0	0 4 A - 1	14	S G 2 3 0 2 2 0	0 4 A - 1	8
R H 2 3 0 4 5 0	0 4 A - 2	13	S G 2 3 0 2 2 0	0 4 A - 2	7
R H 2 3 0 4 6 0	0 4 A - 1	13	S G 2 3 0 2 4 0	0 3	23
R H 2 3 0 4 6 0	0 4 A - 2	12	S G 2 3 0 2 6 0	0 5	3
R H 2 3 0 5 4 0	0 4 B	11	S G 2 3 0 2 8 0	0 4 D	6
R H 2 3 0 5 5 0	0 4 B	10	S G 2 3 0 3 0 0	0 4 C	17
R H 2 3 0 6 1 0	0 3	6	S G 2 3 0 3 7 0	0 3	14
R H 2 3 0 8 0 1	0 3	3	S G 2 5 0 0 6 0	0 4 D	21
R H 2 3 0 8 1 0	0 3	5	S G 2 5 0 2 3 0	0 4 D	22
R N 2 3 0 0 1 0	0 3	15	S G 2 7 0 0 0 0	0 4 D	11
R N 2 3 0 0 2 0	0 3	20	S G 2 7 0 0 5 0	0 4 C	20
R N 2 3 0 0 3 0	0 3	16	S G 2 7 0 0 6 0	0 4 C	22
R N 2 3 0 0 4 0	0 3	17	S G 2 7 0 0 7 0	0 4 C	23
R R 2 3 0 0 8 0	0 4 C	4	S G 2 7 0 0 8 1	0 2 C	4
R R 2 3 0 0 9 0	0 4 C	2	S G 2 7 0 0 9 0	0 2 C	6
R R 2 3 0 1 3 0	0 4 B	18	S G 2 7 0 1 1 0	0 4 C	26
R R 2 3 0 1 4 0	0 4 B	20	S G 2 7 0 1 2 0	0 4 C	25
R R 2 3 0 1 5 0	0 4 B	19	S G 2 7 0 1 3 0	0 4 D	10
R R 2 4 0 2 8 0	0 6 - 1	4	S G 2 7 0 1 4 0	0 4 D	7
R R 2 4 0 3 0 0	0 6 - 1	5	S G 2 7 0 1 8 0	0 4 D	13
R R 2 4 0 3 0 0	0 6 - 2	8	S J 2 2 0 0 1 0	0 1 A	19
R R 2 4 0 3 1 0	0 6 - 1	11	S J 2 4 0 0 1 0	0 6 - 2	21
R R 2 4 0 3 2 0	0 6 - 1	12	S J 2 7 0 0 1 0	0 2 A	7

I N D E X

L I S T No.	SECTION	ITEM	L I S T No.	SECTION	ITEM
S J 2 7 0 0 2 0	0 2 A	8			
S J 2 7 0 0 3 0	0 2 A	11			
S J 2 7 0 0 4 0	0 2 A	9			
S J 2 7 0 1 1 0	0 2 A	23			
S J 2 7 0 1 2 0	0 2 A	6			
S J 3 2 0 0 1 0	0 1 B	11			
S L 2 3 0 0 0 1	0 4 A - 2	24			
S L 2 3 0 0 2 1	0 4 A - 2	25			
S L 2 3 0 0 3 1	0 4 A - 2	20			
S L 2 3 0 0 4 0	0 4 A - 2	18			
S L 2 3 0 0 7 0	0 4 A - 2	22			
S L 2 3 0 0 8 0	0 4 A - 2	21			
S L 2 3 0 0 9 0	0 4 A - 2	30			
S L 2 3 0 1 4 0	0 4 A - 2	29			
S L 2 5 0 0 0 0	0 4 D	2			
S L 2 7 0 0 0 0	0 4 D	16			
S L 2 7 0 0 1 0	0 4 D	17			
S L 2 7 0 0 2 0	0 4 D	19			
S L 2 7 0 0 3 0	0 4 D	18			
S L 2 7 0 0 4 0	0 4 D	15			