

Barudan

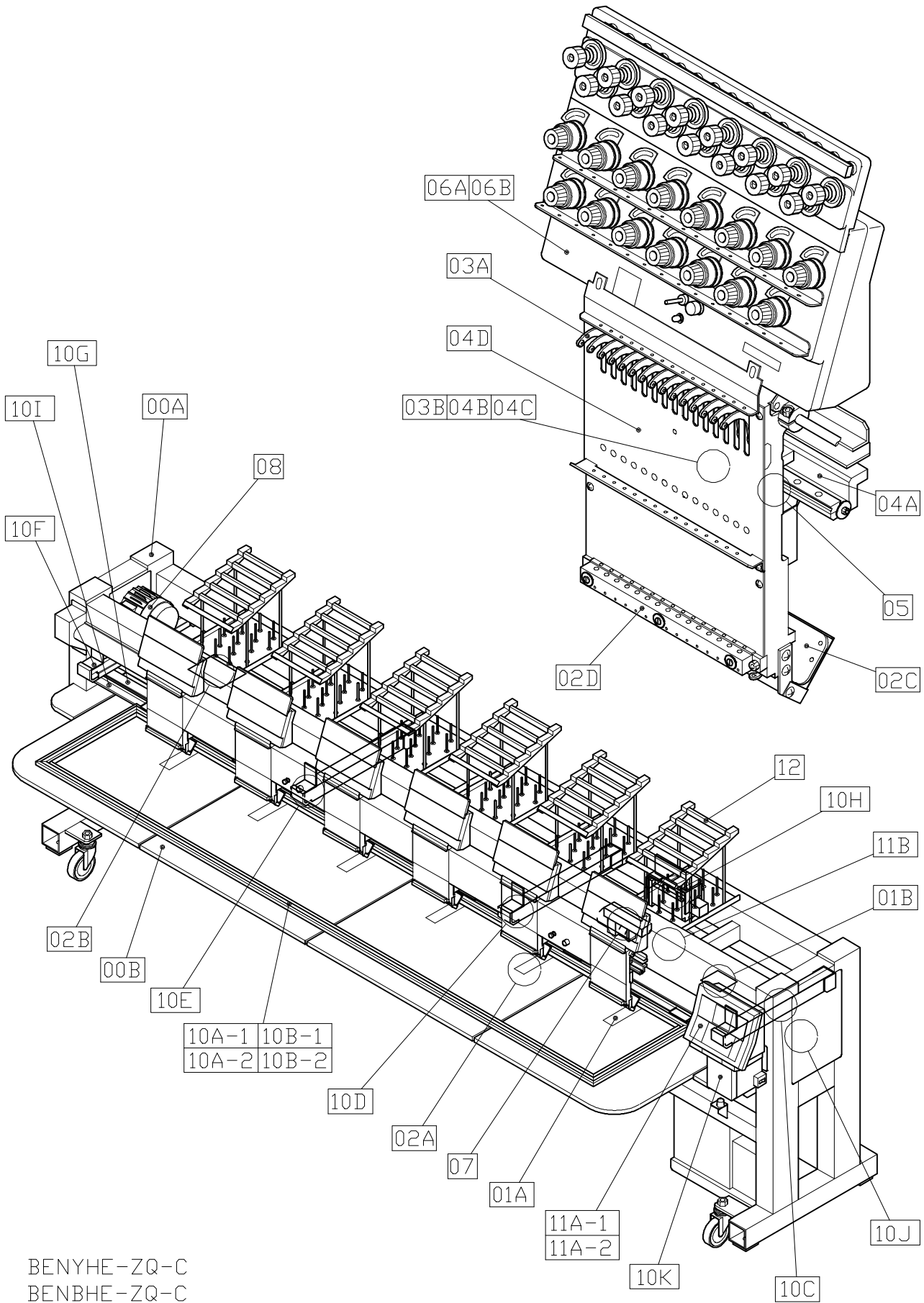
HIGH SPEED AUTOMATIC EMBROIDERY MACHINE

BENYHE-ZQ-C

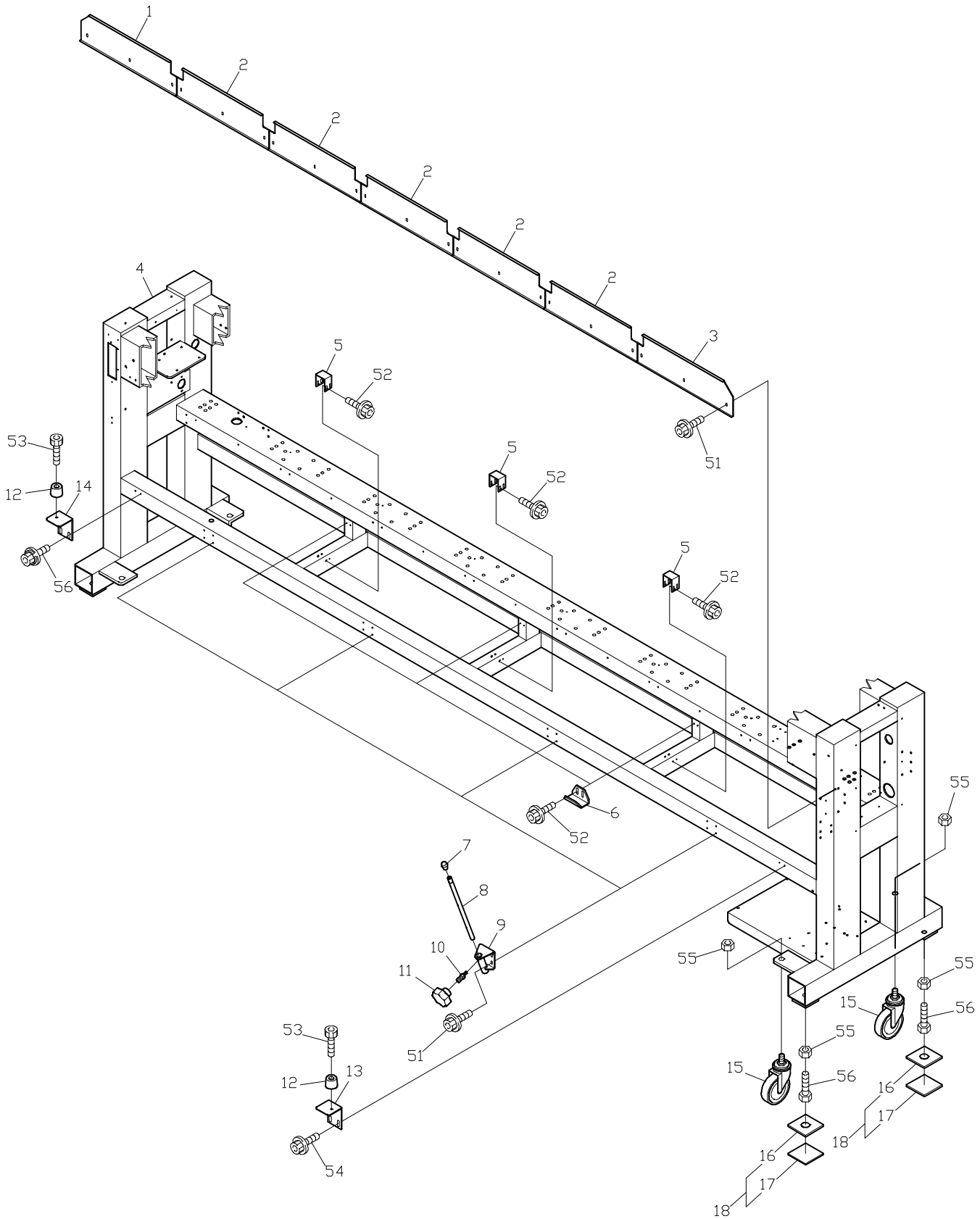
BENBHE-ZQ-C

PARTS LIST

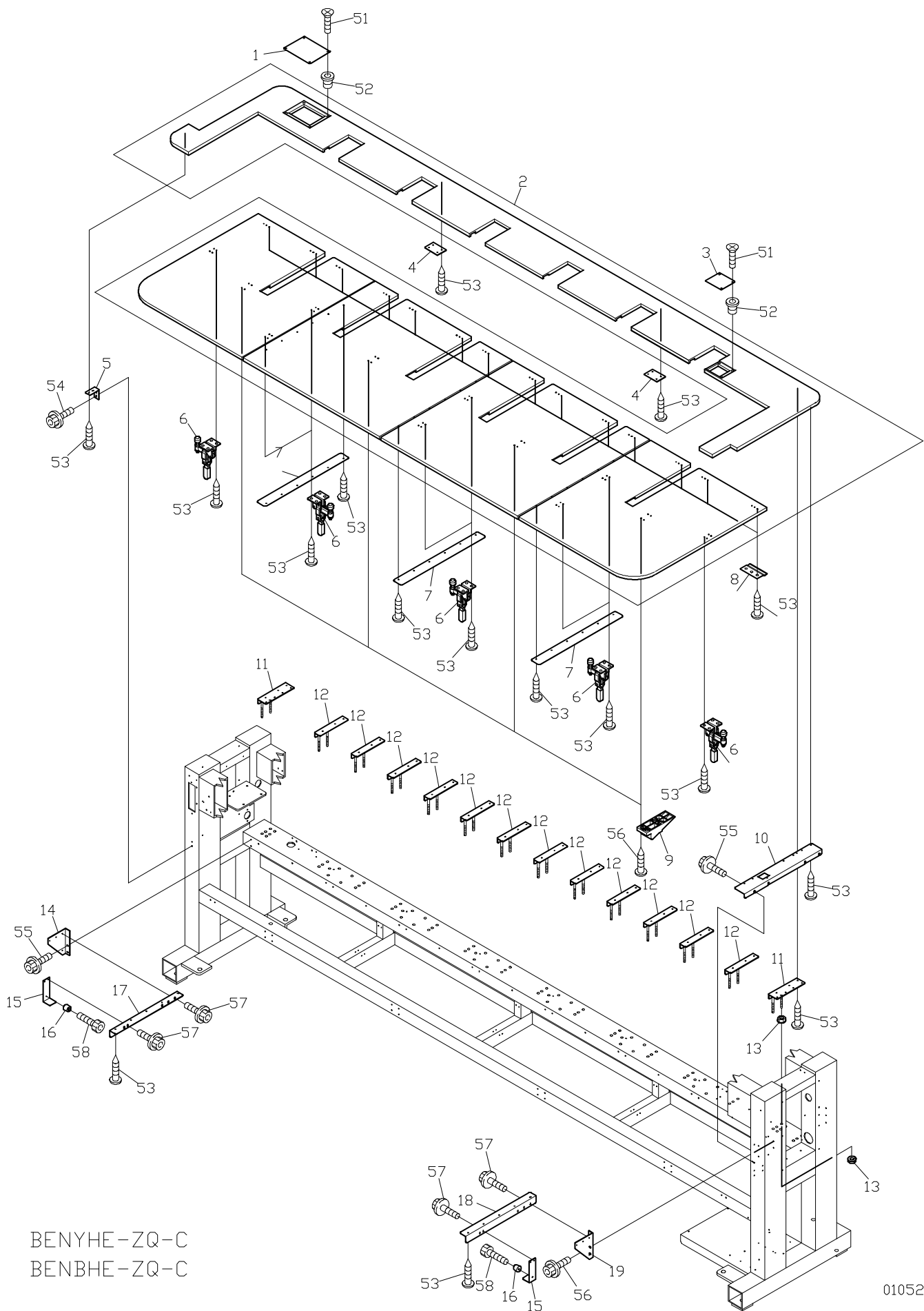
Machine layout (BENYHE-ZQ-C)



BENYHE-ZQ-C
BENBHE-ZQ-C

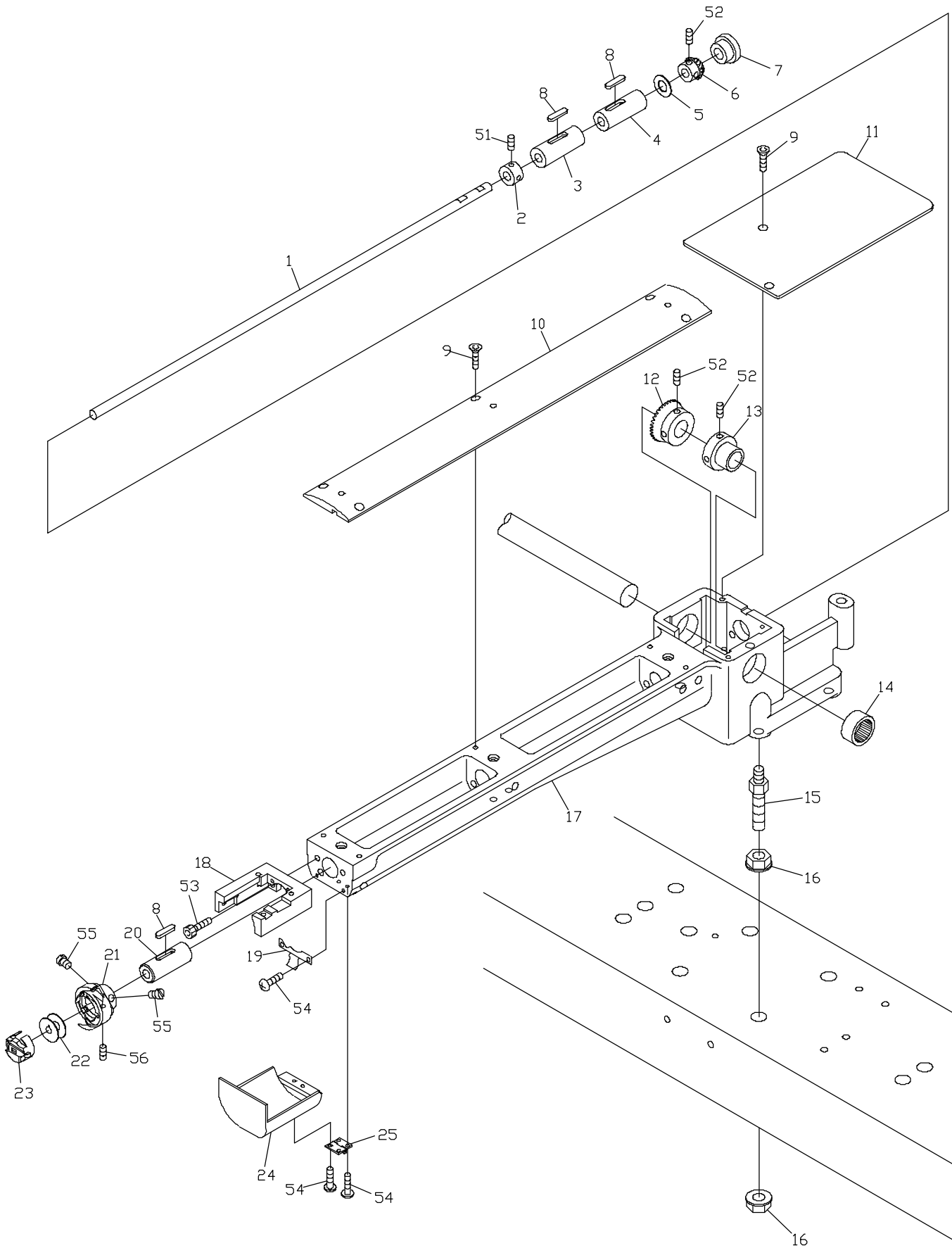


00B Table - Frame B

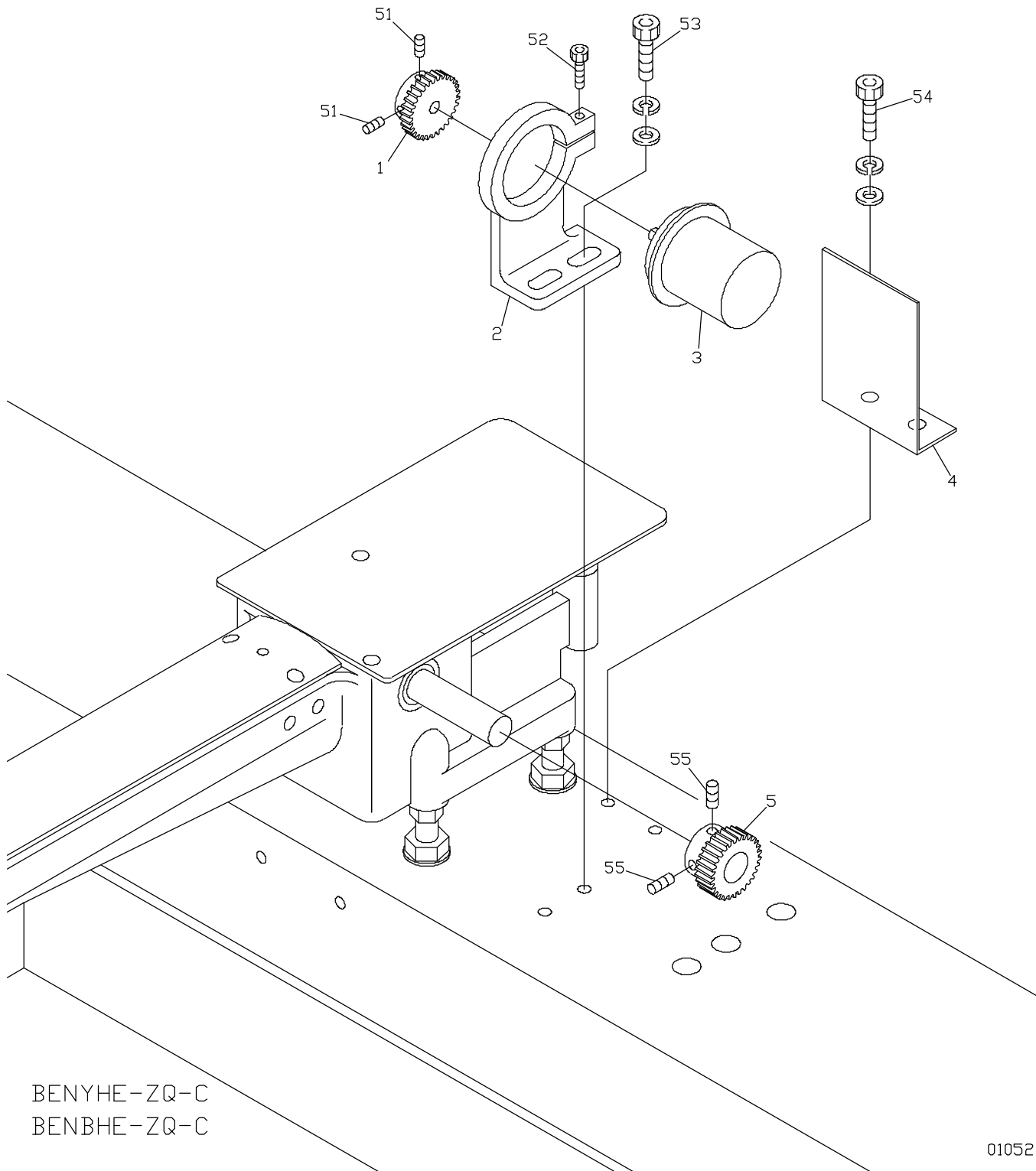


BENYHE-ZQ-C
BENBHE-ZQ-C

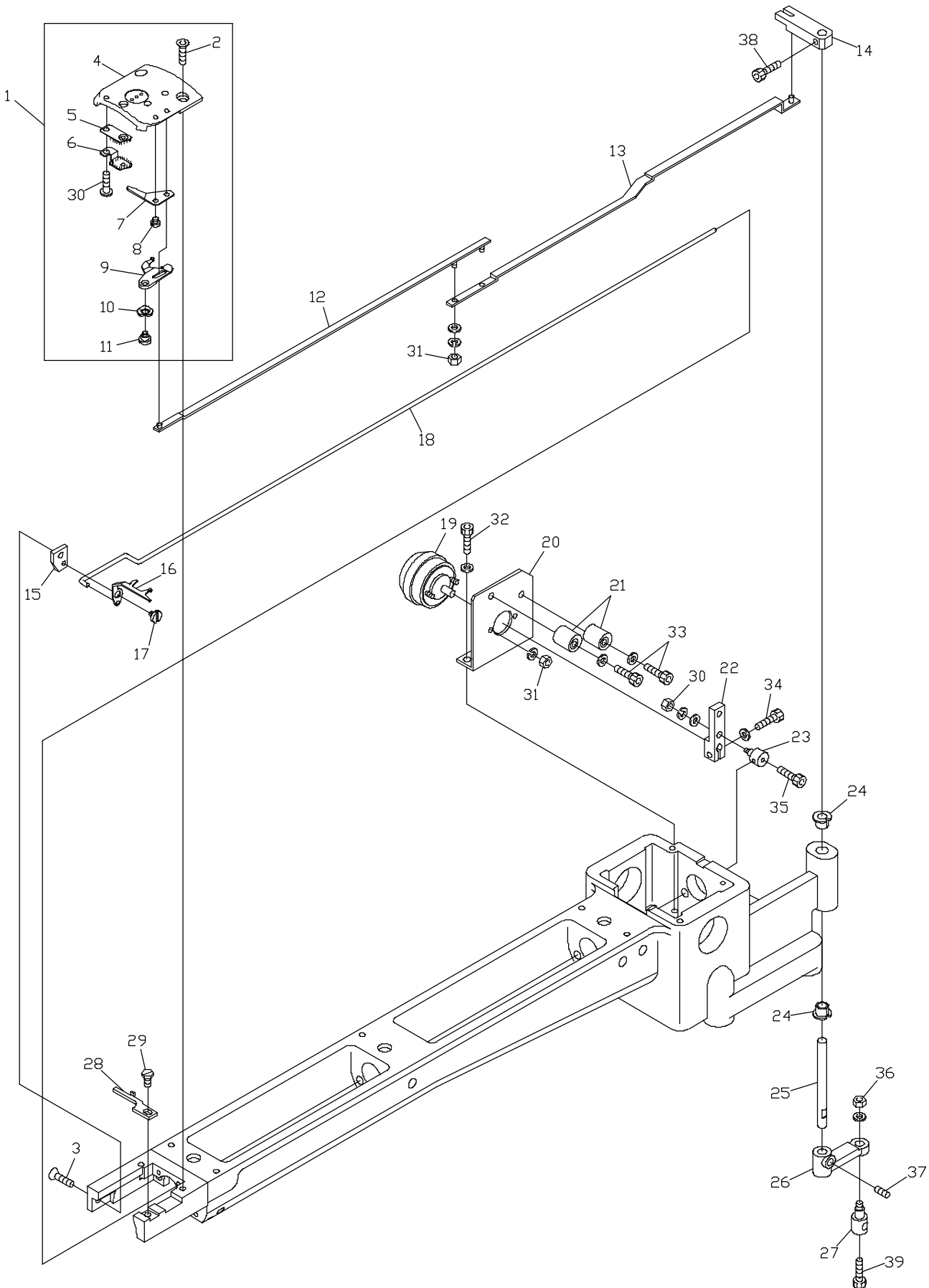
01A Head - Bed A



BENYHE-ZQ-C
BENBHE-ZQ-C



02A Thread cut A

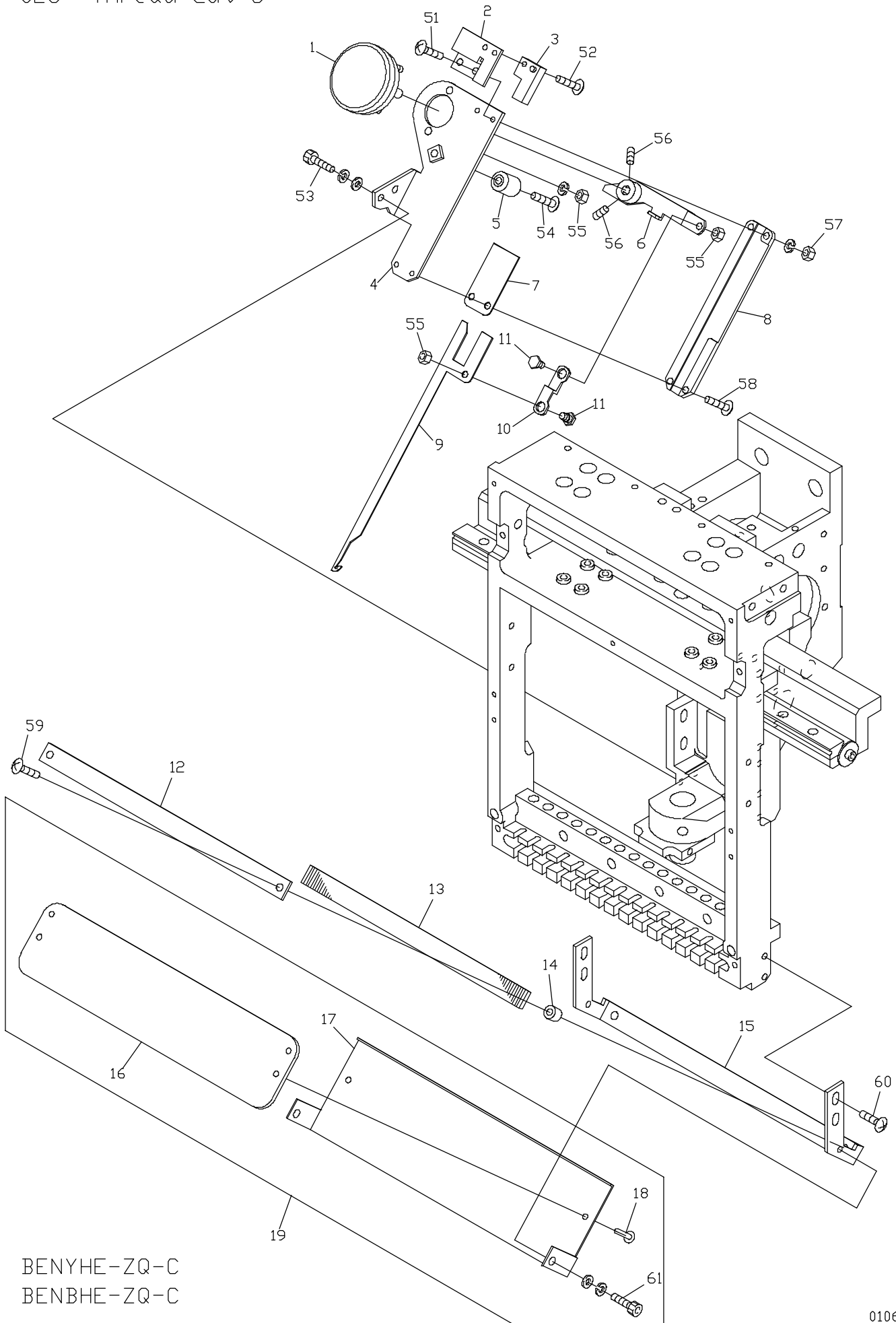


BENSHE-YN/YS BENVHE-YN BENVHE-YN-B BENVHE-ZQ BENVHE-ZQ-B BENVHE-ZQ-C
 BENRHE-YN/YS BENBHE-YN BENBHE-YN-B BENBHE-ZQ BENBHE-ZQ-B BENBHE-ZQ-C

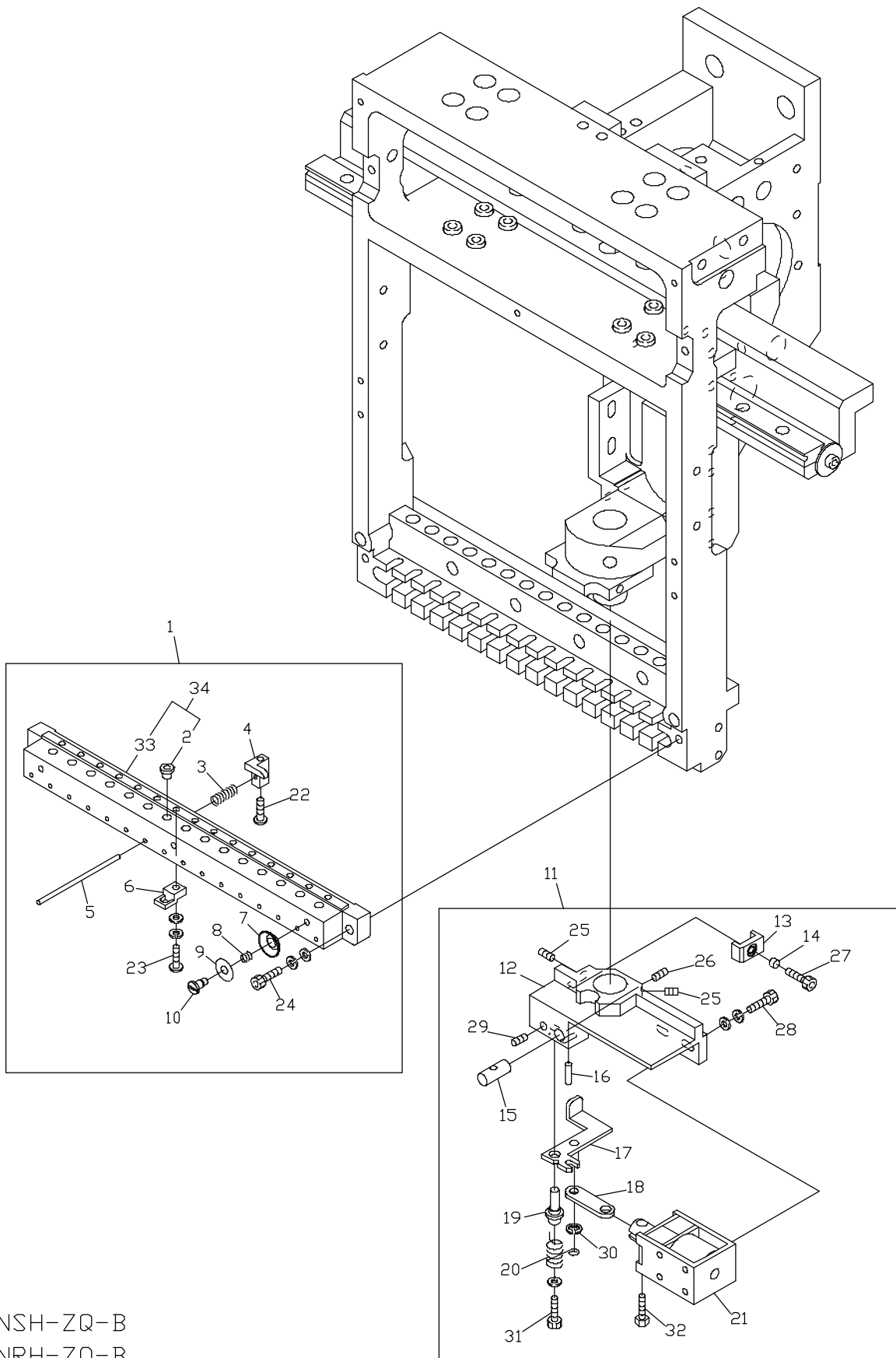
02A THREAD CUT A

ITEM	LIST NO.	DESCRIPTION	Q'TY	NOTE
1	KX270282	Cylinder throat plate(R-type) a'ssy	H X 1	
2	KX250080	Throat plate set screw(Hex.socket)	H X 2	
3		Hex.socket flush screw M4x6		
4	KX270022	Cylinder throat plate(R type)	H X 1	
5	HT270160	Lower thread support stay upper CMP	H X 1	
6	HT270180	Lower thread support stay lower CMP	H X 1	
7	KN270961	Fixed knife	H X 1	
8	KX270010	Fixed knife set screw	H X 1	
9	KN270952	Drive knife	H X 1	
10	A9013066	Wave washer(WW5)(SK)	H X 1	
11	KC270970	Lower thread knife rotary shaft	H X 1	
12	HS210111	Lower thread knife drive rod A	H X 1	
13	HS210121	Lower thread knife drive rod B	H X 1	
14	HS210100	Lower thread knife drive lever upper	H X 1	
15	HS210050	Hook fixed stay	H X 1	
16	HS210143	Hook(For small bobbin)	H X 1	
	HS210142	Hook(For middle bobbin)	H X 1	
17	KC271001	Upper thread knife rotary shaft	H X 1	
18	HS210070	Hook drive rod	H X 1	
19	A9056030	Rotary solenoid 3ER25-35x3x8x9 M960371R(ETL)	H X 1	
20	HS210061	Solenoid stay(For small bobbin)	H X 1	
	HS210060	Solenoid stay(For middle bobbin)	H X 1	
21	KN272401	Stopper eccentric	H X 2	
22	KC271940	Soleroid lever A	H X 1	
23	HS210080	Connecting clamp	H X 1	
24	A9011173	DU bush with flange(MB0606-12FDU)	H X 2	
25	HS210090	Knife lever rotary shaft	H X 1	
26	KN271560	Knife lever	H X 1	
27	MT272500	Connecting bar clamp	H X 1	NSHE/NRHE
	HM270000	Connecting bar clamp	H X 1	Except for NSHE/NRHE
28	KX270000	Rotating hook bobbin case holder position bracket	H X 1	
29	KX270430	Screw(Cylinder)	H X 1	
30		Pan screw M3x3		
31		Hex.nut M3		
32		Hex.socket bolt M4x8(With plain washer)		
33		Hex.socket bolt M4x18		
34		Hex.socket bolt M4x10		
35		Hex.socket bolt M3x5		
36		Hex.nut M4		
37		Hex.socket set screw M5x6		
38		Hex.socket bolt M4x6		
39		Hex.socket bolt M4x8		

02C Thread cut C



BENYHE-ZQ-C
BENBHE-ZQ-C



BENSH-ZQ-B

BENRH-ZQ-B

BENSH-ZQ-BS

BEDSH-ZQ-BS

BENYH-ZQ-A

BENYHE-ZQ

BENYHE-ZQ-B

BENYHE-ZQ-C

BENRH-ZQ-BS

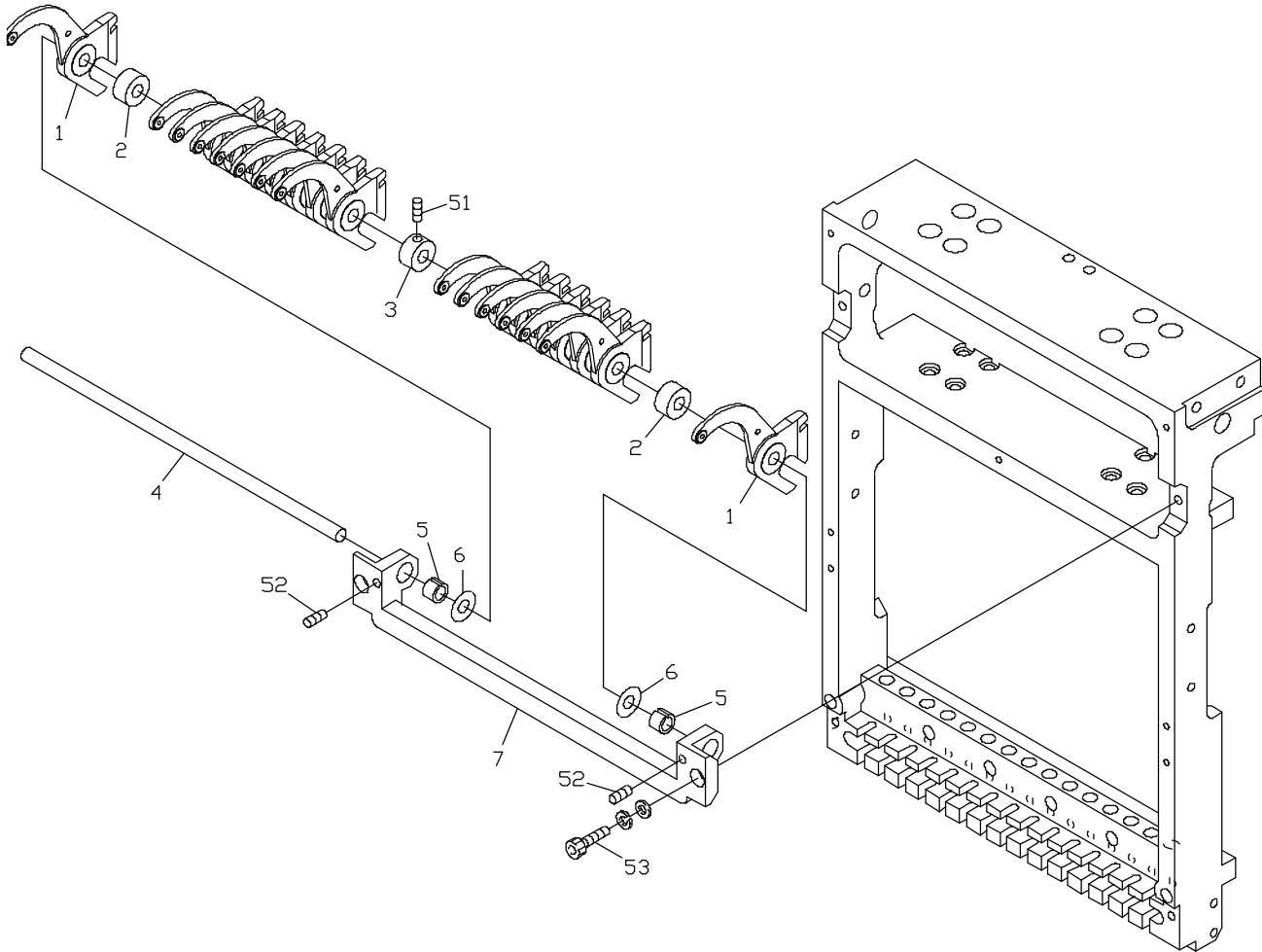
BENBH-ZQ-A

BENBHE-ZQ

BENBHE-ZQ-B

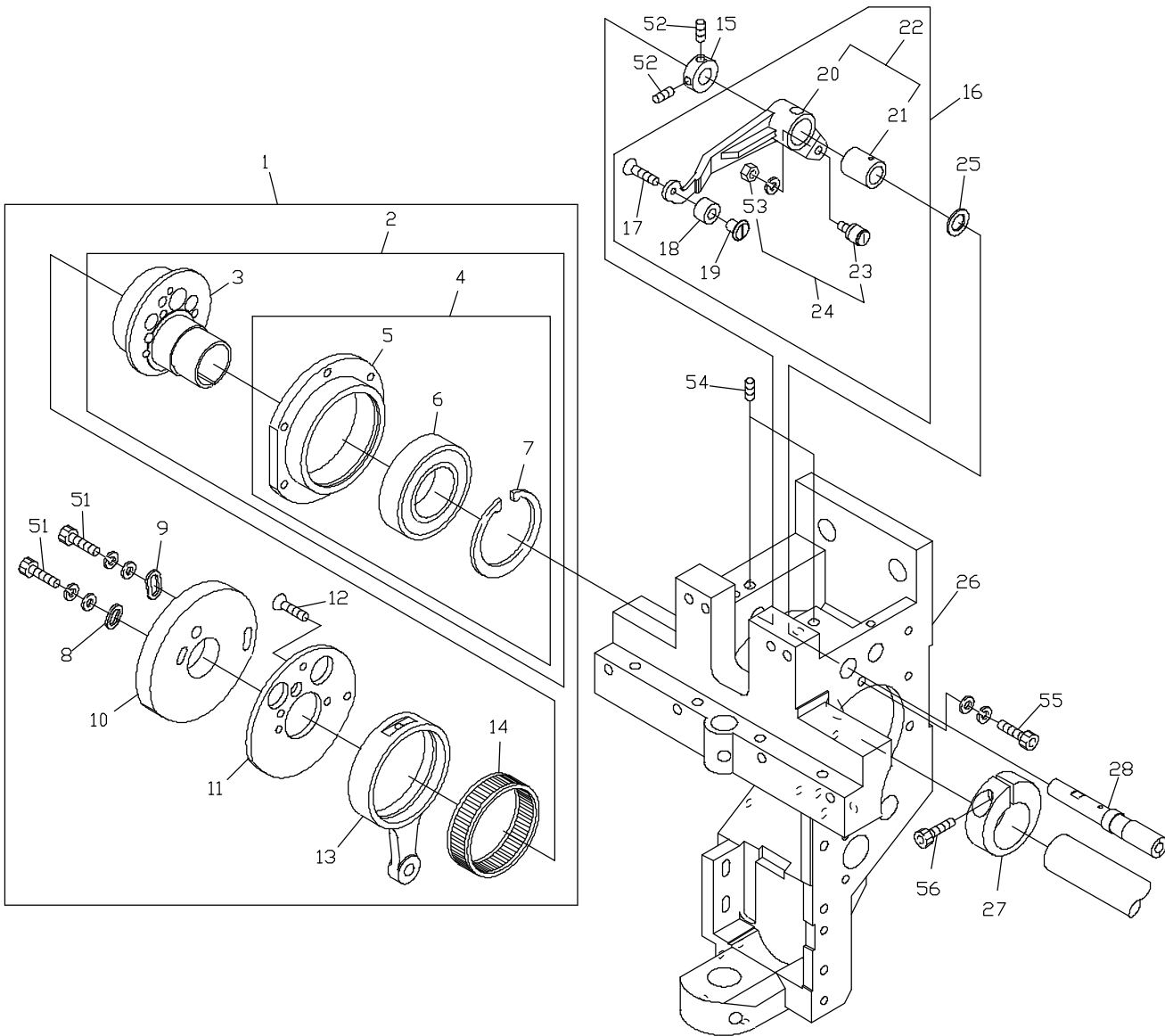
BENBHE-ZQ-C

03A Take up lever A



BENSH-ZQ-B
BENRH-ZQ-B
BENSH-ZQ-BS BEDSH-ZQ-BS BENYH-ZQ-A BENYHE-ZQ BENYHE-ZQ-B
BENYHE-ZQ-C BENRH-ZQ-BS BENBH-ZQ-A BENBHE-ZQ BENBHE-ZQ-B
BENBHE-ZQ-C

03B Take up lever B



BENSH-ZQ-B

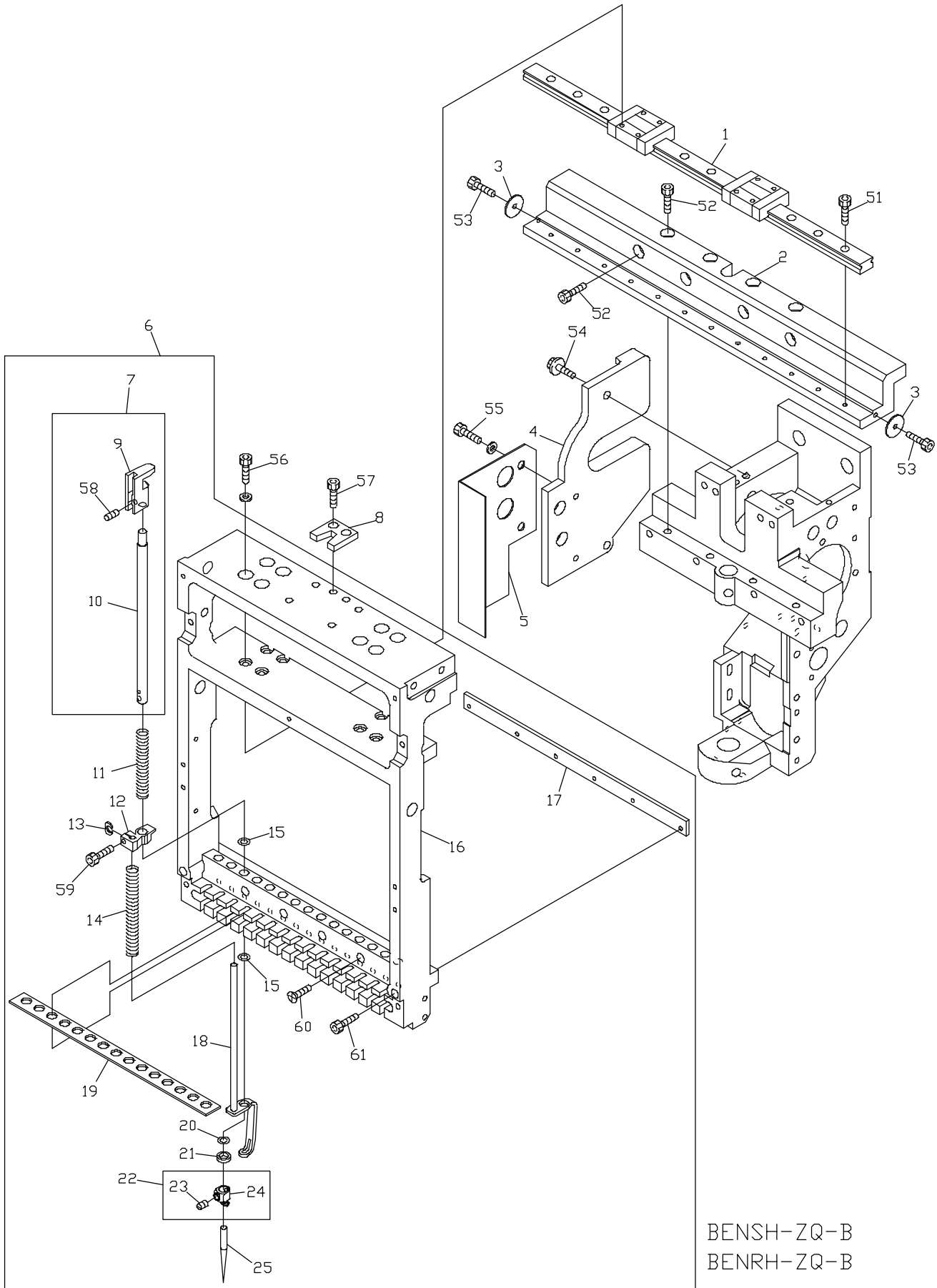
BENRH-ZQ-B

BENSH-ZQ-BS BEDSH-ZQ-BS BENYH-ZQ-A BENYHE-ZQ BENYHE-ZQ-B

BENYHE-ZQ-C BENRH-ZQ-BS BENBH-ZQ-A BENBHE-ZQ BENBHE-ZQ-B

BENBHE-ZQ-C

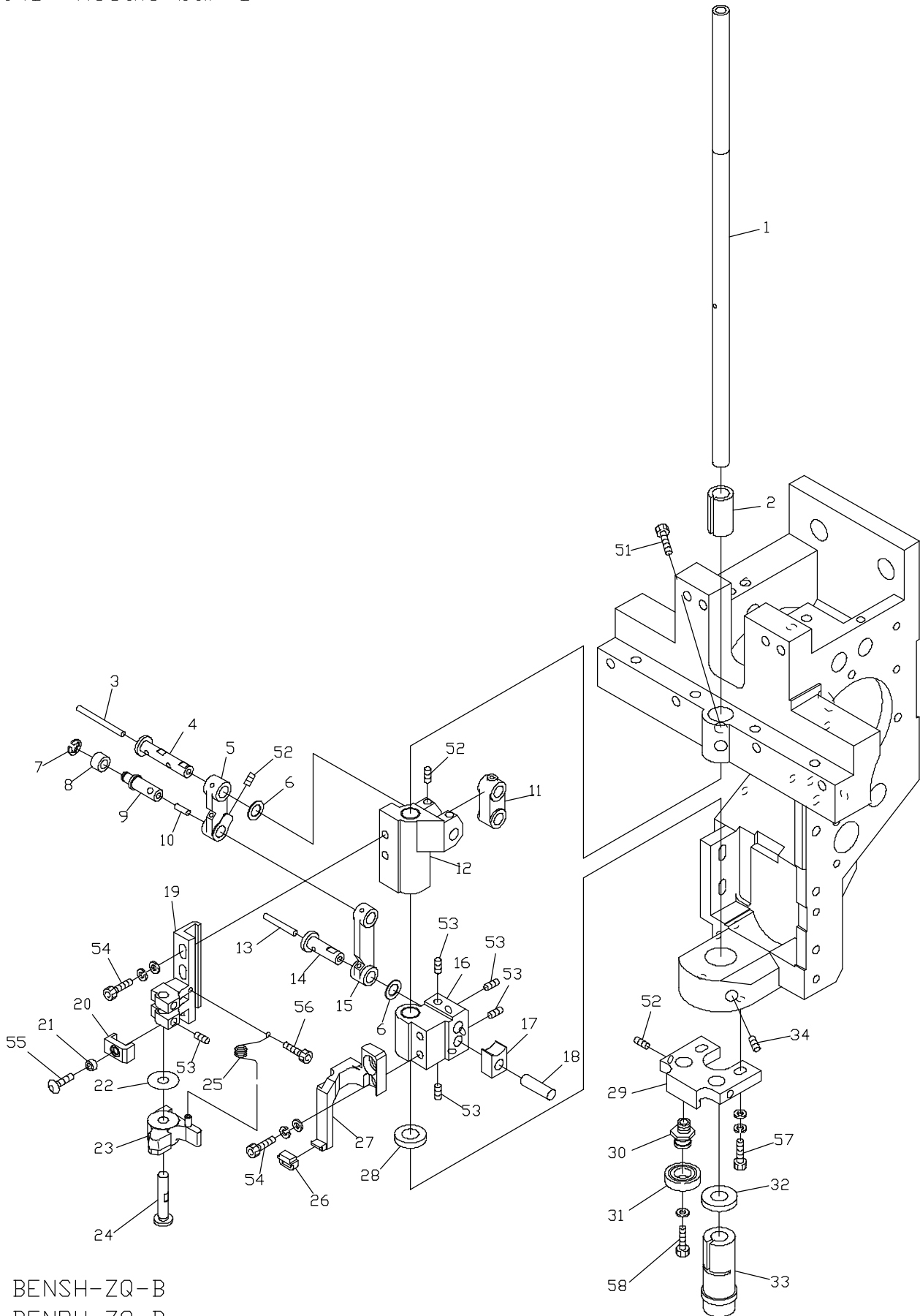
04A Needle bar A



BENSH-ZQ-B
BENRH-ZQ-B

BENSH-ZQ-BS BEDSH-ZQ-BS BENYH-ZQ-A BENYHE-ZQ BENYHE-ZQ-B
BENYHE-ZQ-C BENRH-ZQ-BS BENBH-ZQ-A BENBHE-ZQ BENBHE-ZQ-B
BENBHE-ZQ-C

04B Needle bar B



BENSH-ZQ-B

BENRH-ZQ-B

BENSH-ZQ-BS BEDSH-ZQ-BS BENYH-ZQ-A BENYHE-ZQ BENYHE-ZQ-B

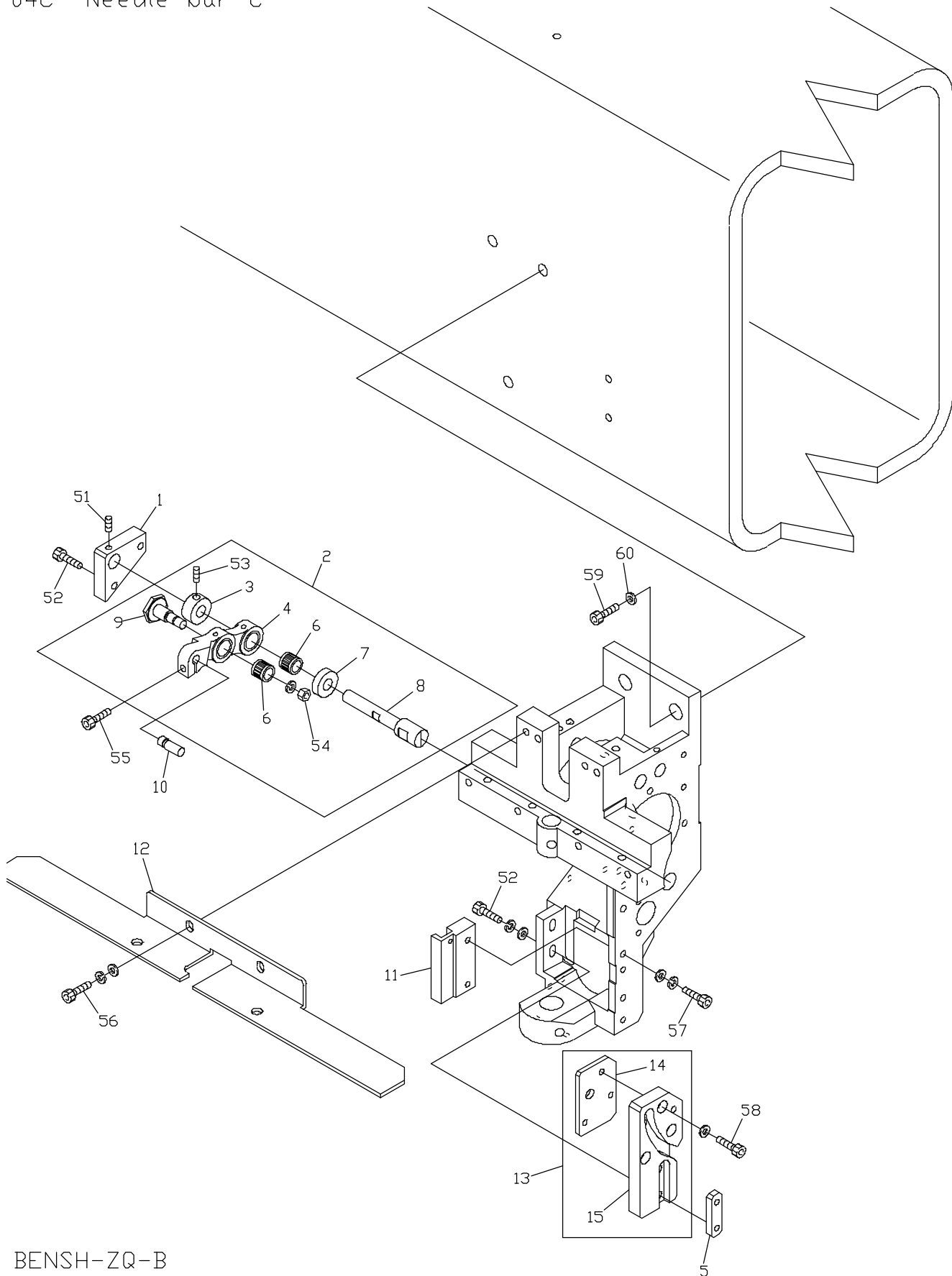
BENYHE-ZQ-C BENRH-ZQ-BS BENBH-ZQ-A BENBHE-ZQ BENBHE-ZQ-B

BENBHE-ZQ-C

04B NEEDLE BAR B

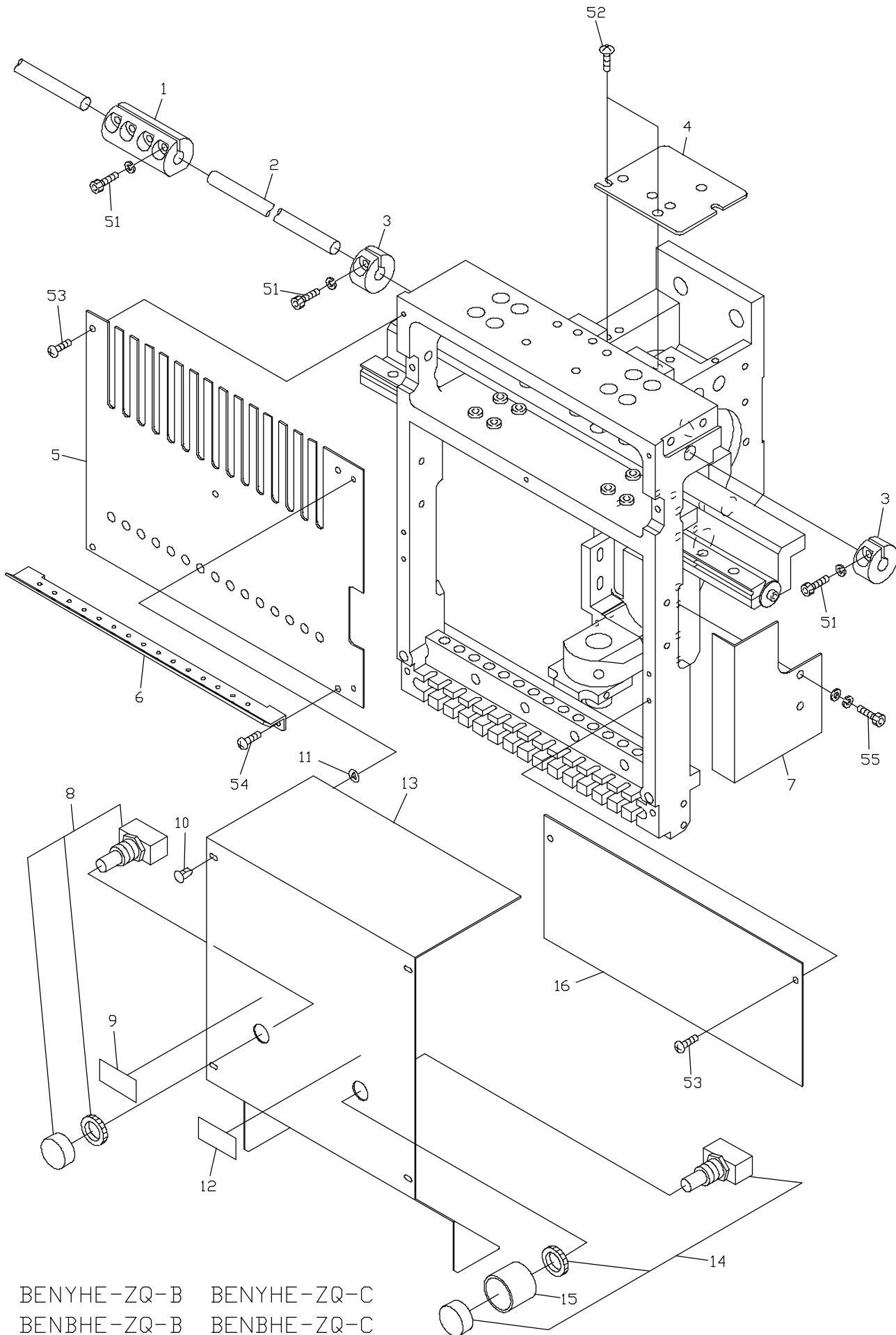
ITEM	LIST NO.	DESCRIPTION	Q'TY	NOTE
1	RV230020	Drive shaft(ZQ5)	Hx1	
2	RD230150	Drive shaft bush(Upper)	Hx1	
3	HT230750	Oil core(30mm)	Hx1	
4	HT230470	Small link pin	Hx1	
5	HT230490	Link(Small)	Hx1	
6	HT230730	Shim ring(10 dia. t=0.3)	Hx2	
7	A9012127	E-ring(3 dia.)	Hx1	
8	KF230530	Roller(For take up lever)	Hx1	
9	HT230450	Link roller joint pin	Hx1	
10	HT230760	Oil core(8mm)	Hx1	
11	HB230200	Needle bar driving link	Hx1	
12	HT230510	Needle bar driver slide block	Hx1	
13	HT230770	Oil core(20mm)	Hx1	
14	HT230460	Large link pin	Hx1	
15	HT230480	Link(Large)	Hx1	
16	HT230500	Set slide block	Hx1	
17	HP231370	Square ball	Hx1	
18	HT230320	Square ball pin	Hx1	
19	HT230290	Needle bar beat fixing base	Hx1	
20	HT230520	Needle bar driving stopper	Hx1	
21	A9012368	Spacer(Roll bush)	Hx1	
22	RH230550	Shim ring	Hx1	
23	RH230540	Needle bar driver	Hx1	
24	HT230280	Needle bar driver pin	Hx1	
25	HT230560	Needle bar driver return spring	Hx1	
26	HT230340	Cloth hold support rubber	Hx1	
27	RV230250	Cloth hold support	Hx1	
28	RD230240	Drive shaft felt(Upper)	Hx1	
29	RD230050	Bearing guide	Hx1	
30	KX230050	Bearing pin	Hx2	
31	A9010065	Ball bearing 686zz	Hx2	
32	RD230230	Drive shaft felt(Lower)	Hx1	
33	KX230080	Drive shaft bush(Lower)	Hx1	
34	A9012053	Hex.socket set screw(With steel ball) M6x0.7x8	Hx2	
51		Hex.Socket bolt M5x20		
52		Hex.socket set screw M4x6(With nylon)		
53		Hex.socket set screw M4x4(With nylon)		
54		Hex.socket bolt M4x12(With washers)		
55		Hex.socket button bolt M3x6		
56		Hex.Socket bolt M2.5x6		
57		Hex.socket bolt M4x15(With washers)		
58		Hex.socket bolt M4x6(With plain washer)		

04C Needle bar C

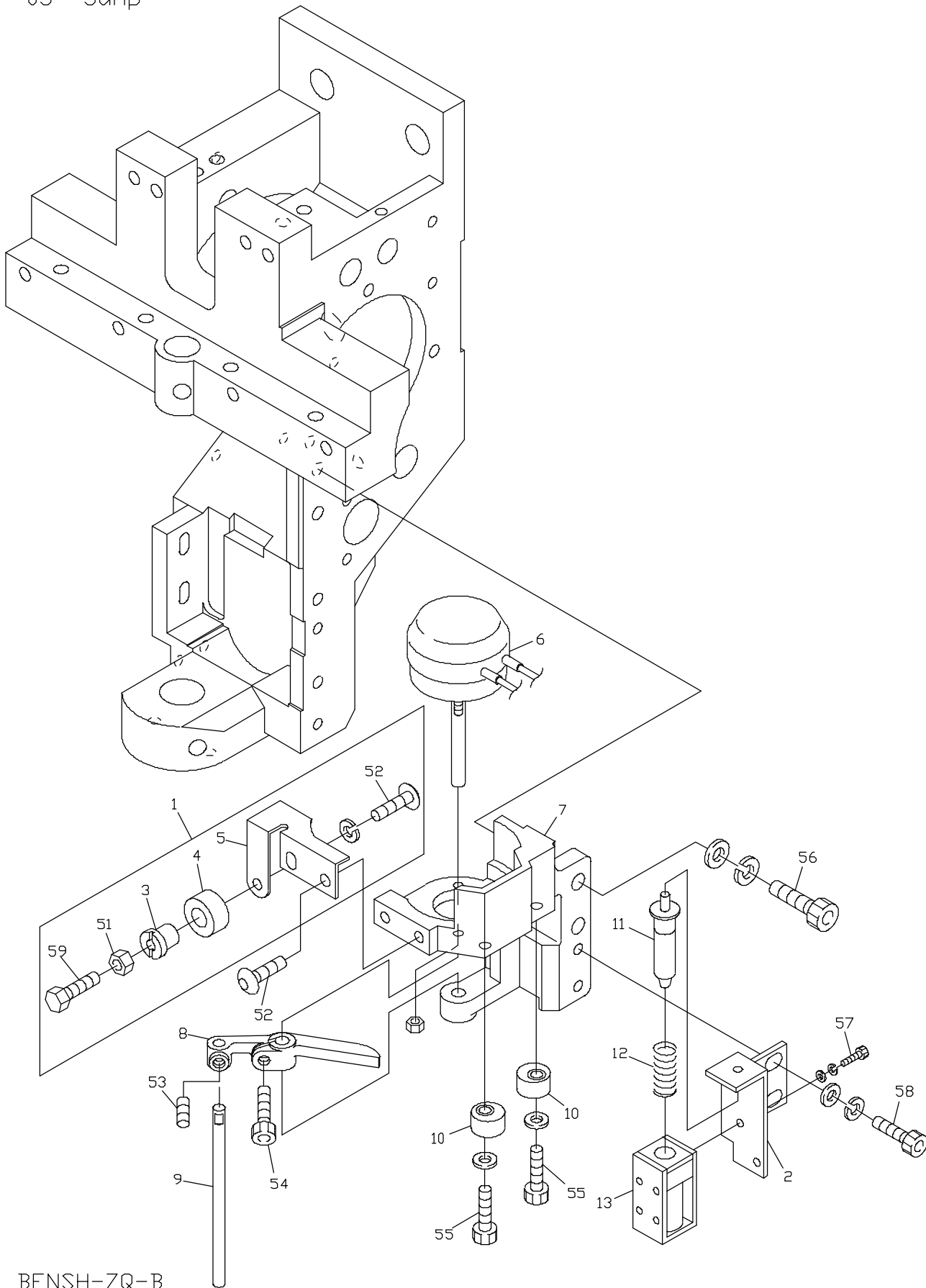


BENSH-ZQ-B
 BENRH-ZQ-B
 BENSH-ZQ-BS BEDSH-ZQ-BS BENYH-ZQ-A BENYHE-ZQ BENYHE-ZQ-B
 BENYHE-ZQ-C BENRH-ZQ-BS BENBH-ZQ-A BENBHE-ZQ BENBHE-ZQ-B
 BENBHE-ZQ-C

04D Needle bar D

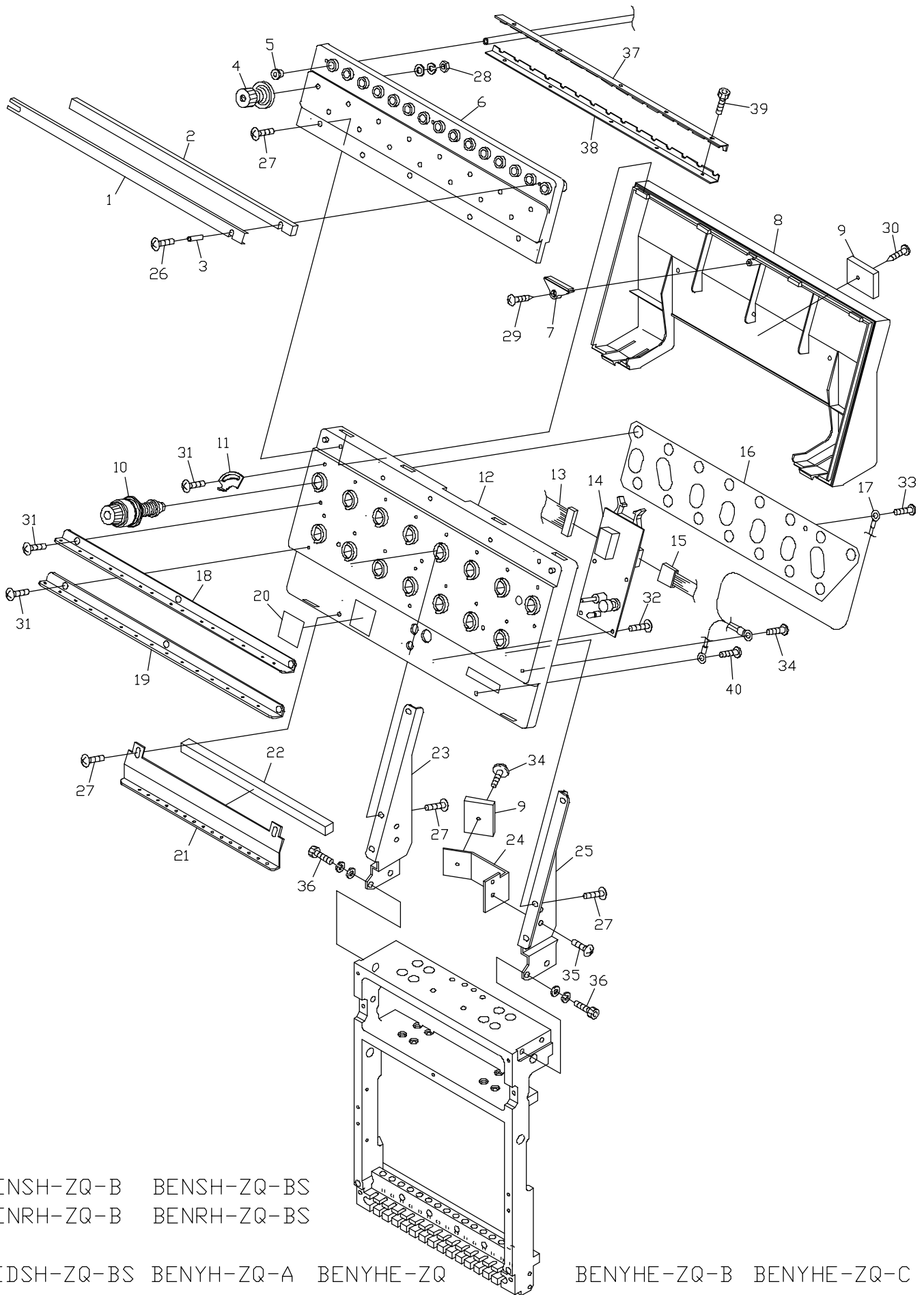


BENYHE-ZQ-B BENYHE-ZQ-C
 BENBHE-ZQ-B BENBHE-ZQ-C



BENSH-ZQ-B
 BENRH-ZQ-B
 BENSH-ZQ-BS BEDSH-ZQ-BS BENYH-ZQ-A BENYHE-ZQ BENYHE-ZQ-B
 BENYHE-ZQ-C BENRH-ZQ-BS BENBH-ZQ-A BENBHE-ZQ BENBHE-ZQ-B
 BENBHE-ZQ-C

06A Thread guide A (Standard)



BENSH-ZQ-B BENSH-ZQ-BS
 BENRH-ZQ-B BENRH-ZQ-BS

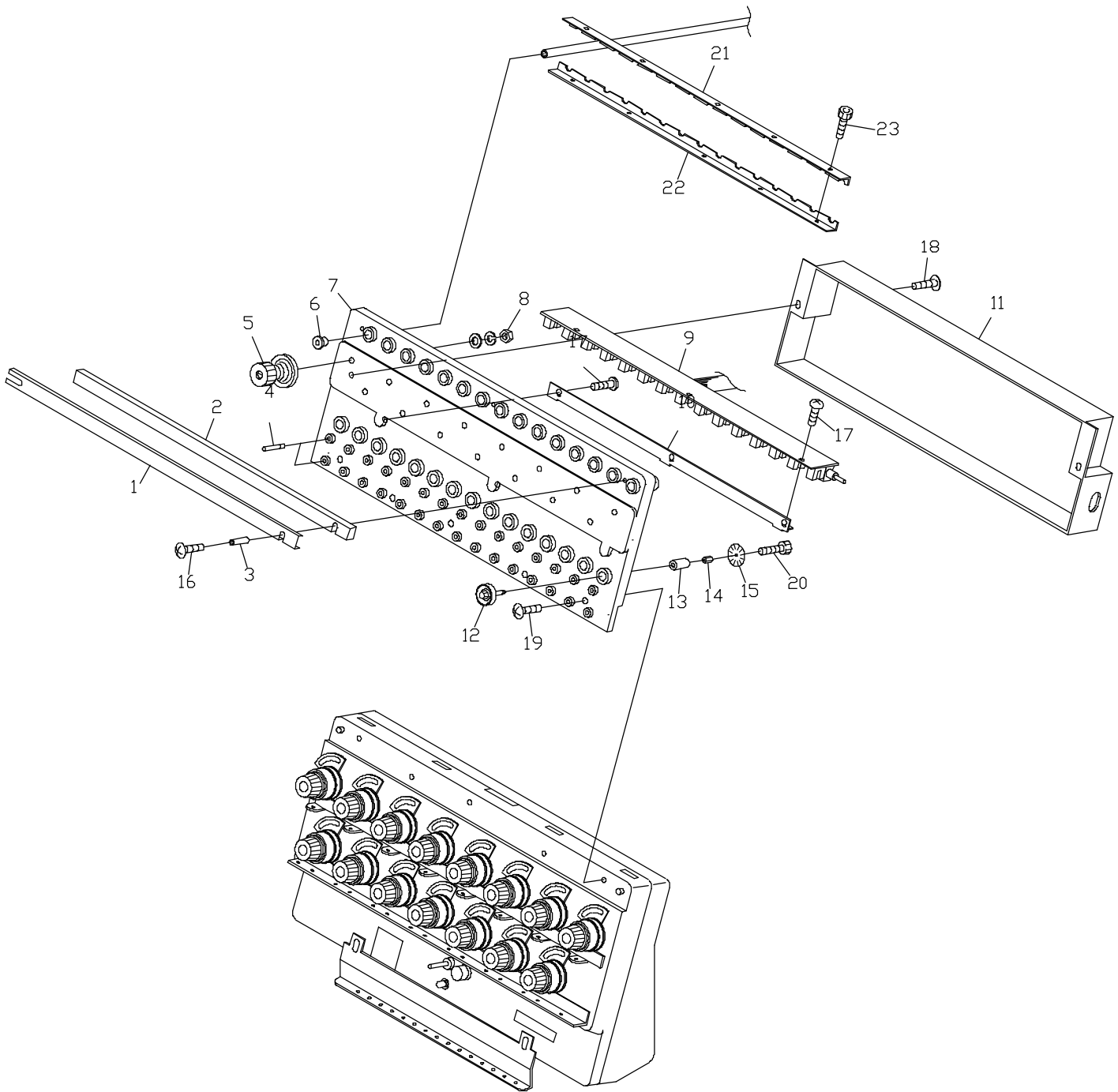
BEDSH-ZQ-BS BENYH-ZQ-A BENEHE-ZQ
 BENBH-ZQ-A BENBHE-ZQ

BENEHE-ZQ-B BENEHE-ZQ-C
 BENBHE-ZQ-B BENBHE-ZQ-C

06A THREAD GUIDE A

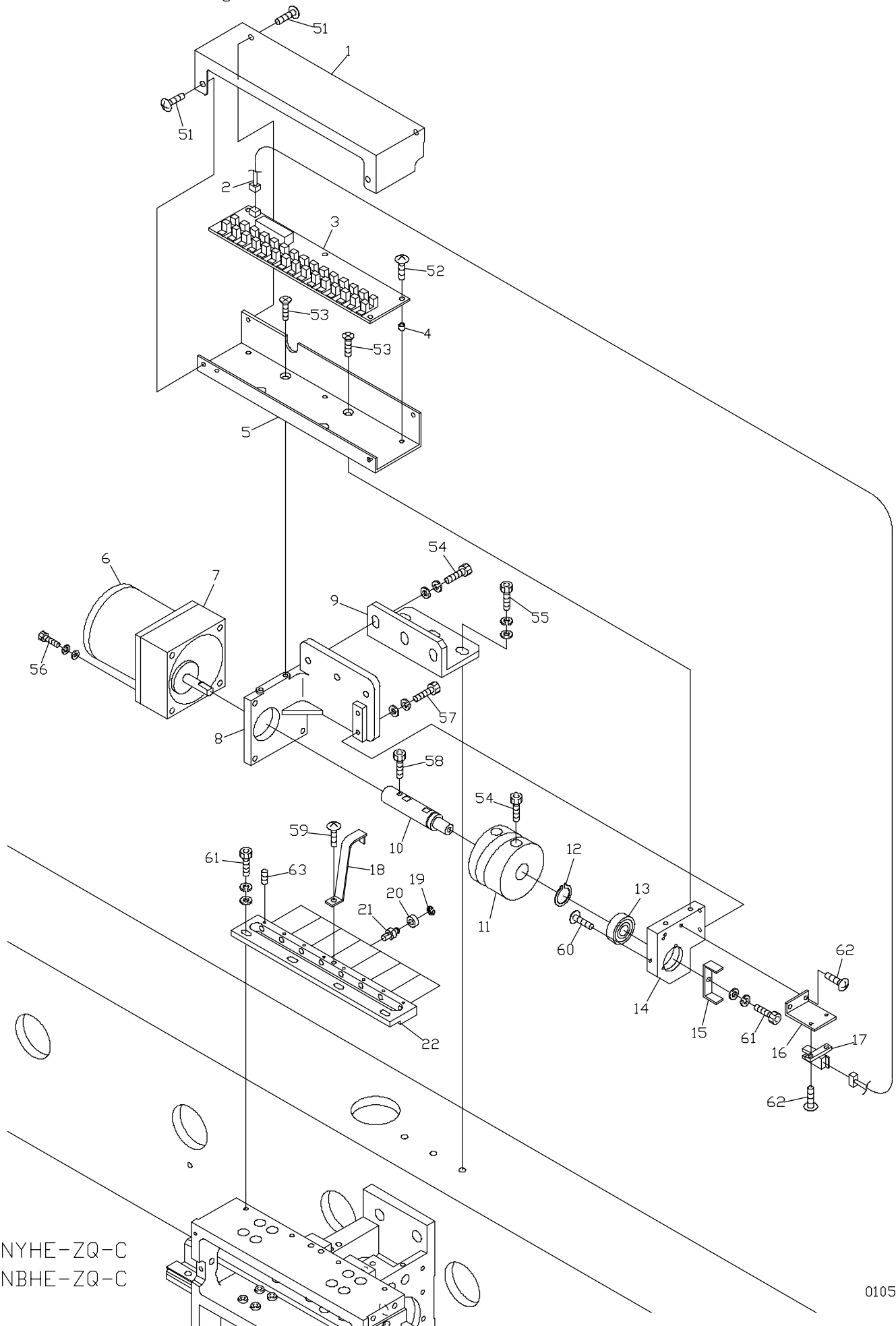
ITEM	LIST NO.	DESCRIPTION	Q'TY	NOTE
1	RD240291	Felt frame	Hx1	
2	RD240301	Felt	Hx1	
3	A9012412	Spacer(3 dia. x17L)	Hx2	
4	RD240320	Thread tension a'ssy(ZQ-A)	Hx15	
5	HT240480	Thread collar(For thread stand,white)	Hx15	
6	RD240280	Thread tension base	Hx1	Except for DSH
	RR240170	Thread tension base(DSH-ZQ)	Hx1	DSH
7	HT240240	Blind cap	Hx1	Except for DSH
	RR240180	Blind cap(DSH-ZQ- YN)	Hx1	DSH
8	RD240030	Tension cover(For 15 needle)	Hx1	Except for DSH
	RR240160	Tension base cover(DSH-ZQ)	Hx1	DSH
9	A9068032	FCW clamp(FCW-26)	Hx2	
10	RD240153	Dial thread tension unit complete(BEMAX)	Hx15	
11	RD240111	Thread spring adjusting plate	Hx15	
12	RD240022	Tension base case a'ssy	Hx1	Except for DSH
	RR240150	Tension base case a'ssy(DSH-ZQ)	Hx1	DSH
13	EBY01690	H1899 pin pin cable	Hx1	
14	EBY01641	4640 head switch board(With BEMAX cable)	Hx1	
15	EBY01700	H1900 additional pin pin cable	Hx1	
16	RD240121	Tension earth plate	Hx1	
17	A9053077	Tension base earth cable ZQ	Hx1	
18	RD240330	First thread guide plate(ZQ-A)	Hx1	
19	RD240340	Second thread guide plate(ZQ-A)	Hx1	
20		Number label	Hx1	
21	RD240051	Second thread guide	Hx1	
22	RD240130	Cover hold rubber	Hx1	
23	RD240171	Tension base(R)	Hx1	
24	RD240090	Cord holder	Hx1	
25	RD240181	Tension base(L)	Hx1	
26		Truss screw M3x25		
27		Truss screw M4x10		
28		Hex.nut SM11/64		
29		Tapping screw 3 dia. x12		
30		Tapping pan screw 3 dia. x25		
31		Truss screw M3x5		
32		Truss screw M3x6		
33		Pan screw M3x6		
34		Pan screw with washers M3x8		
35		Truss screw M4x6		
36		Hex.socket bolt M5x15(With washers)		
37	RD240430	Tube holder(Upper)	Hx1	Included MG710082
38	RD240440	Tube holder(Lower)	Hx1	Included MG710082
39		Hex.socket bolt M3x15		Included MG710082
40		Pan screw M4x6		

06B Thread guide B (Lower thread sensorium)

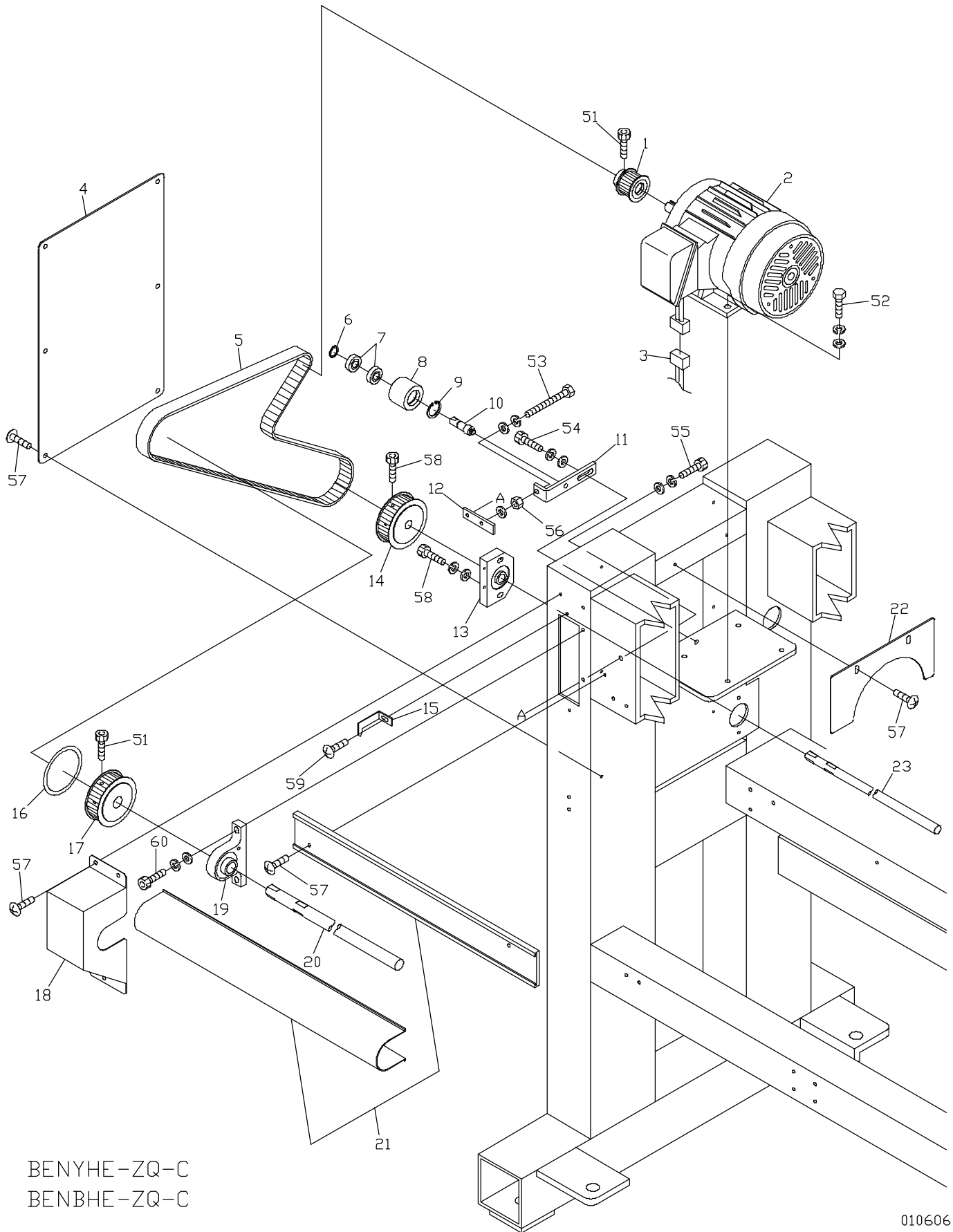


- BENSH-ZQ-B
- BENRH-ZQ-B
- BENSH-ZQ-BS
- BEDSH-ZQ-BS
- BENYH-ZQ-A
- BENYHE-ZQ
- BENYHE-ZQ-B
- BENYHE-ZQ-C
- BENRH-ZQ-BS
- BENBH-ZQ-A
- BENBHE-ZQ
- BENBHE-ZQ-B
- BENBHE-ZQ-C

07 Color change

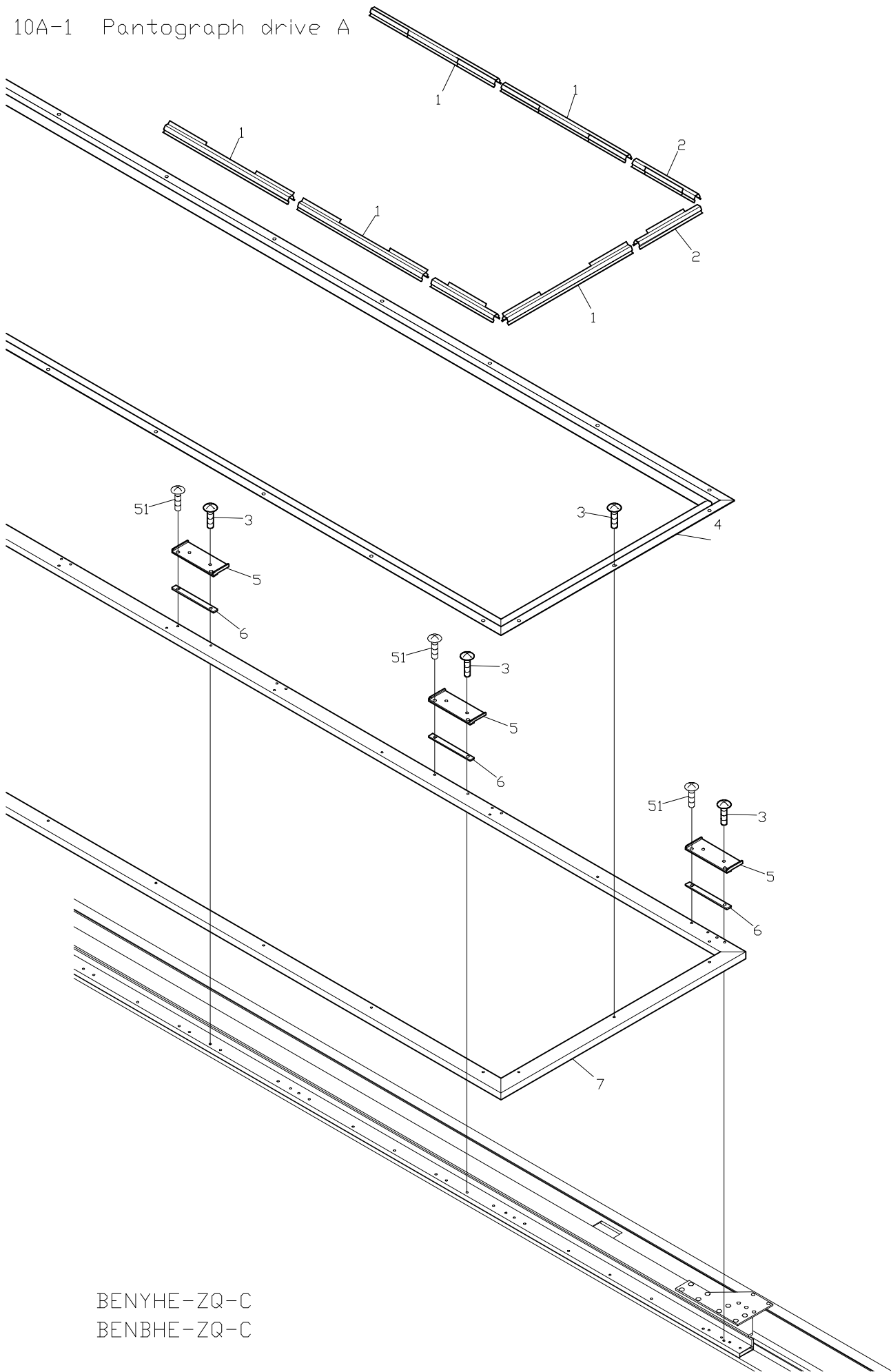


BENYHE-ZQ-C
BENBHE-ZQ-C



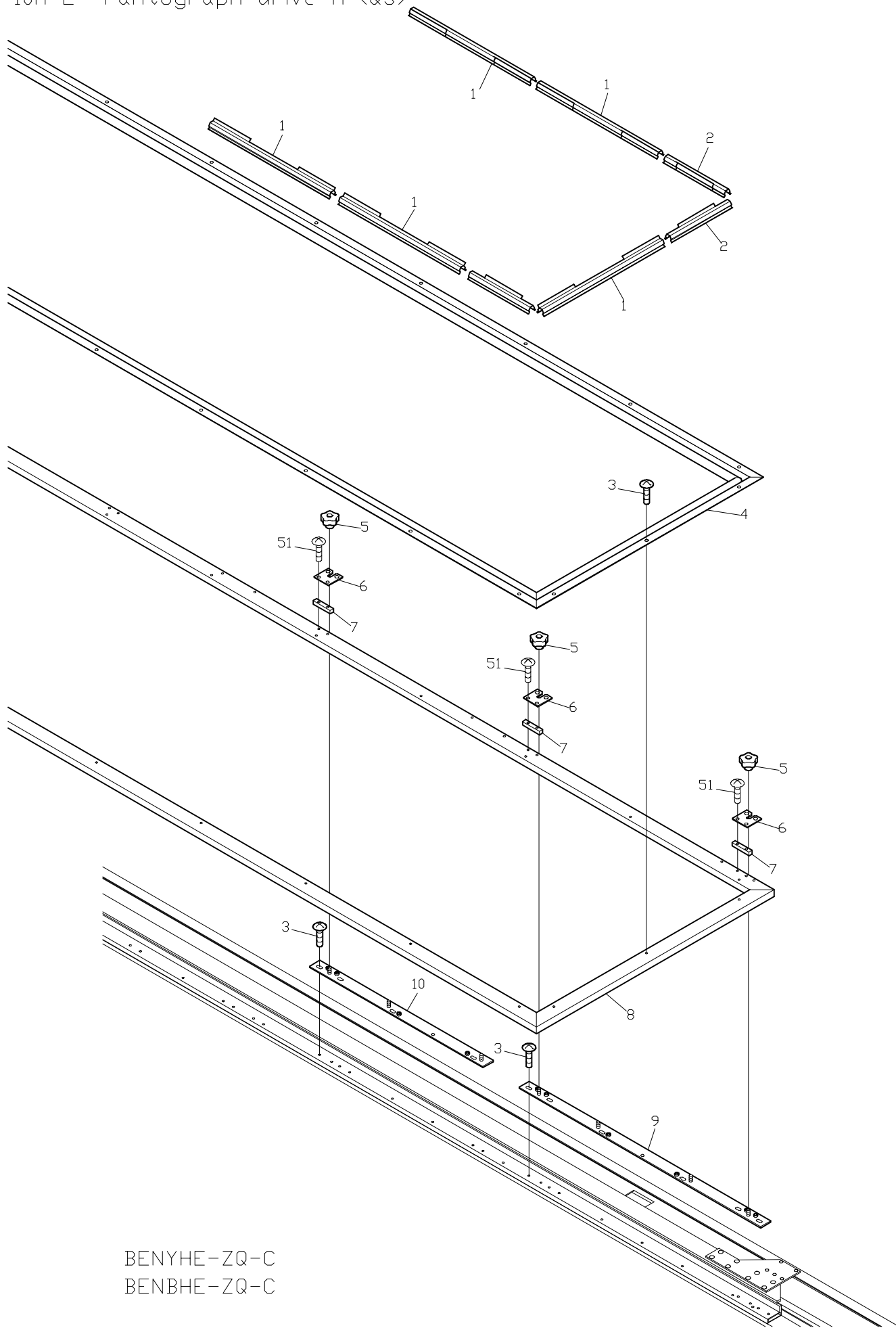
BENYHE-ZQ-C
BENBHE-ZQ-C

10A-1 Pantograph drive A



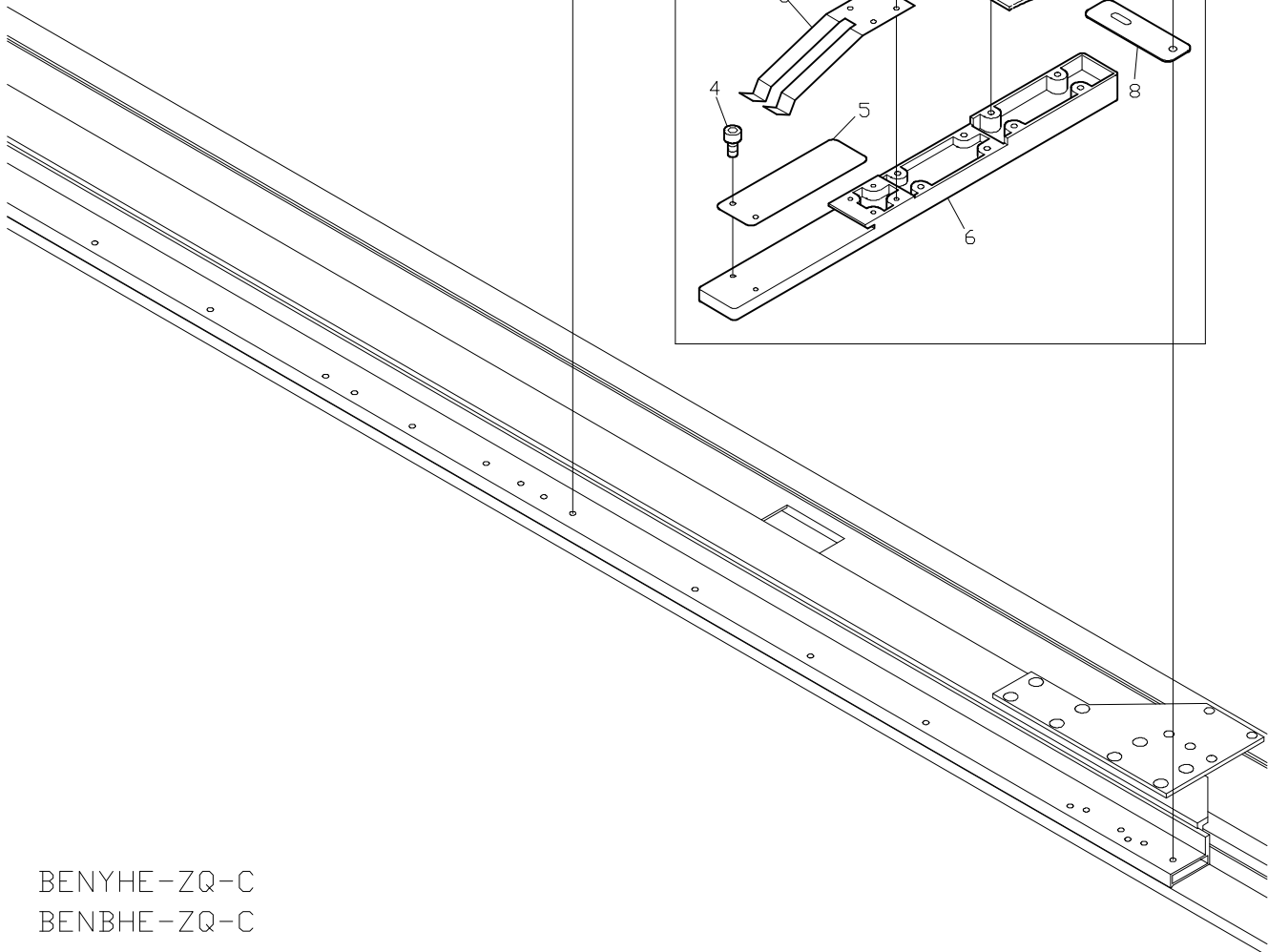
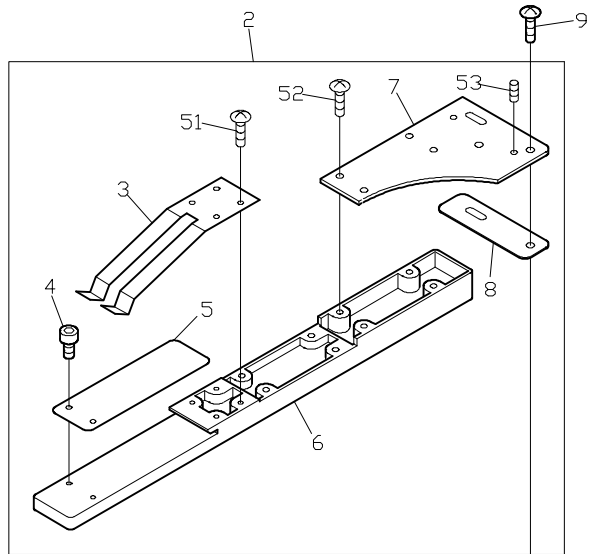
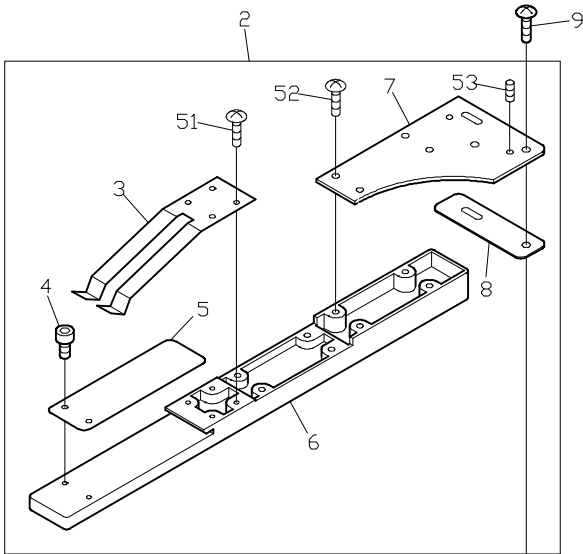
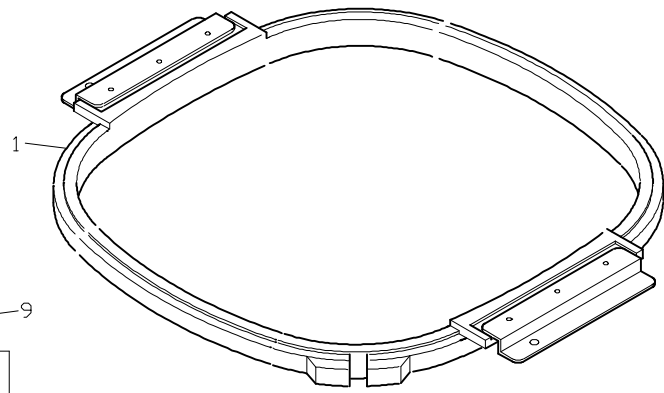
BENYHE-ZQ-C
BENBHE-ZQ-C

10A-2 Pantograph drive A (QS)



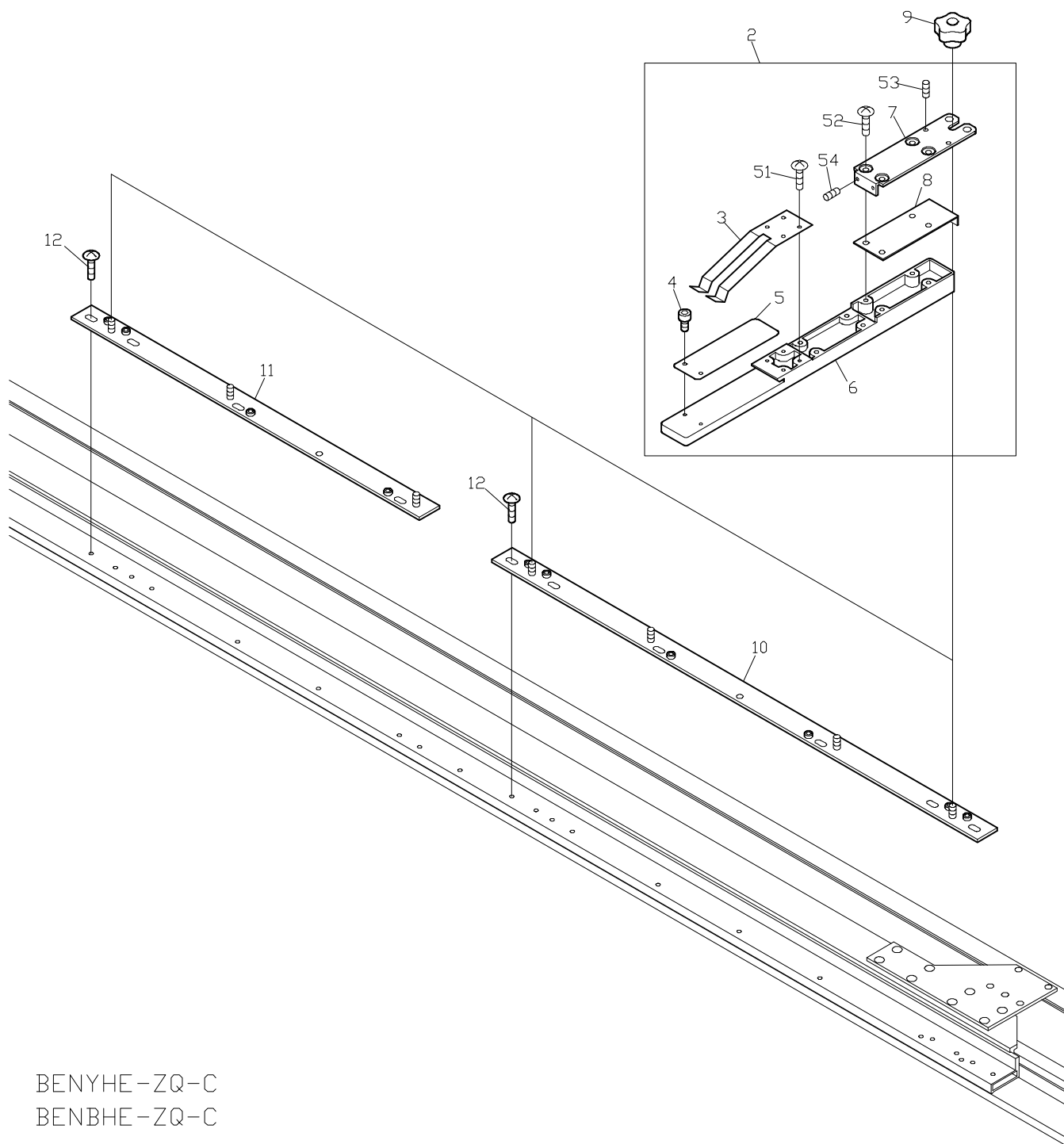
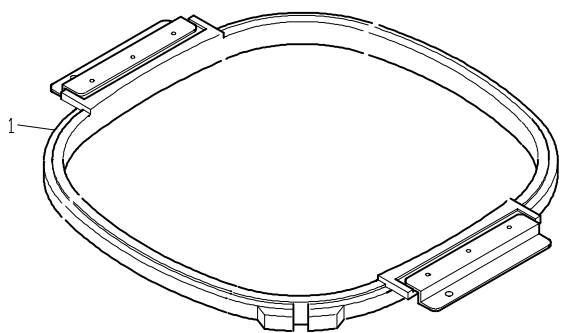
BENYHE-ZQ-C
BENBHE-ZQ-C

10B-1 Pantograph drive B



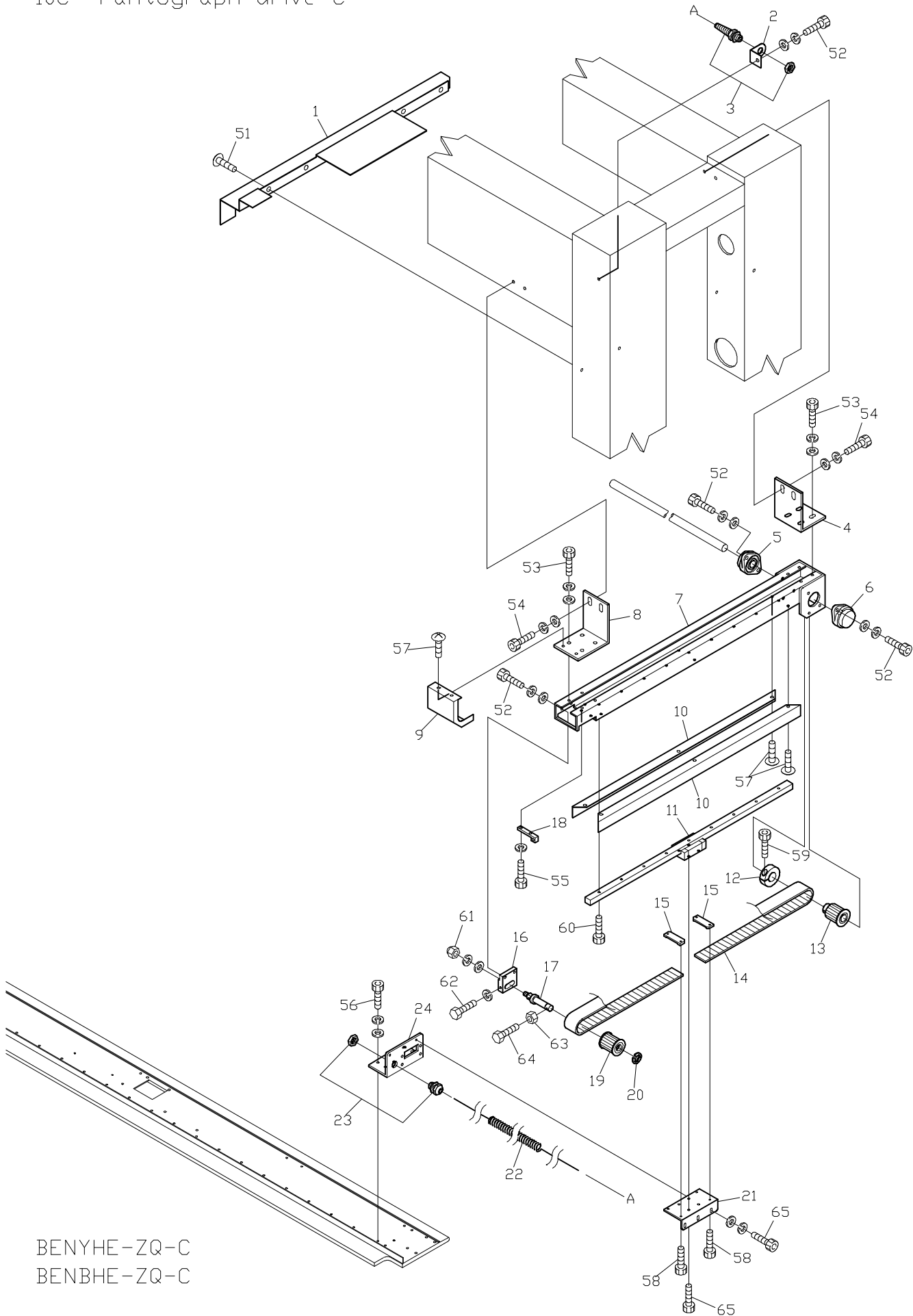
BENYHE-ZQ-C
BENBHE-ZQ-C

10B-2 Pantograph drive B (QS)



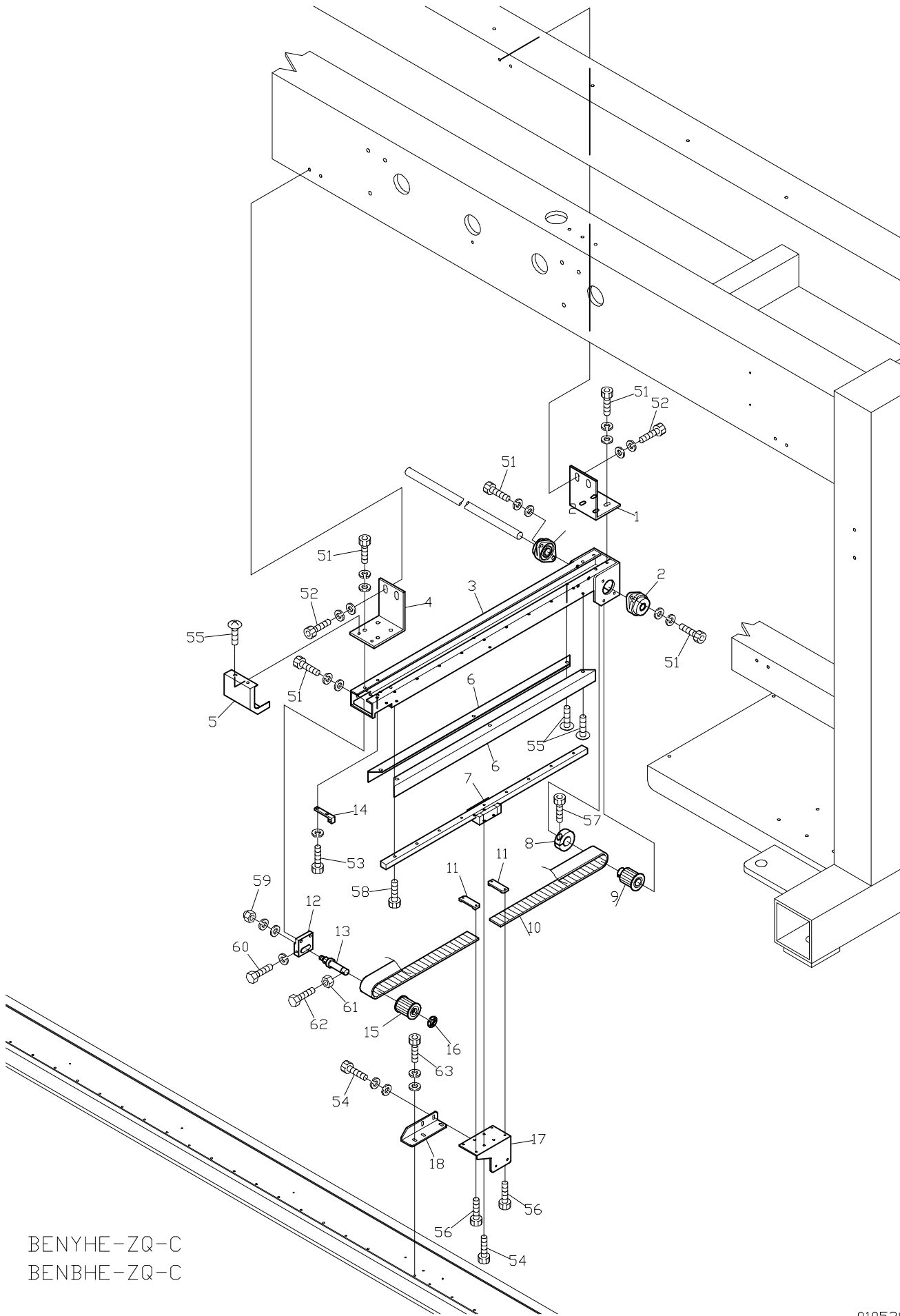
BENYHE-ZQ-C
BENBHE-ZQ-C

10C Pantograph drive C



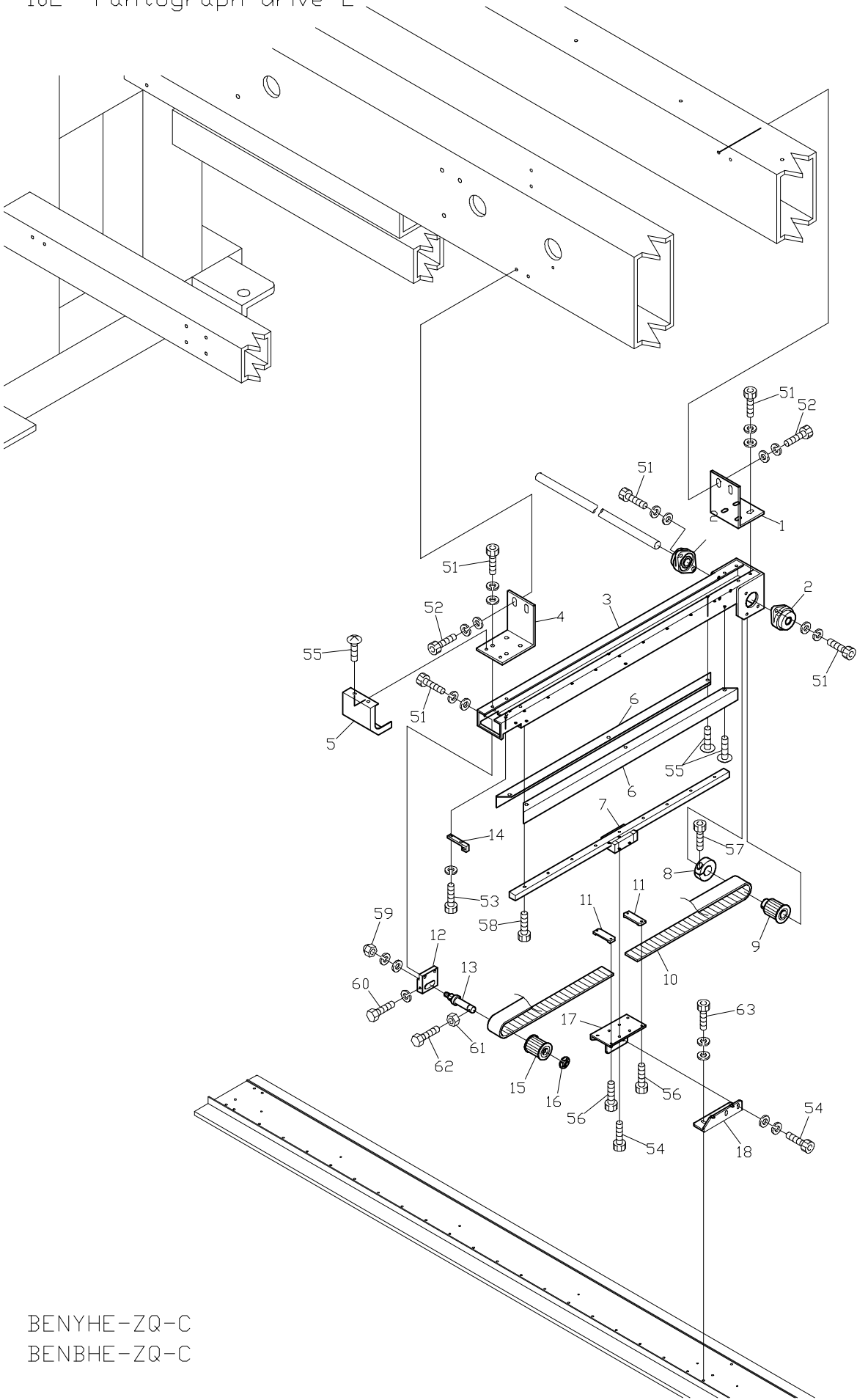
BENYHE-ZQ-C
BENBHE-ZQ-C

10D Pantograph drive D



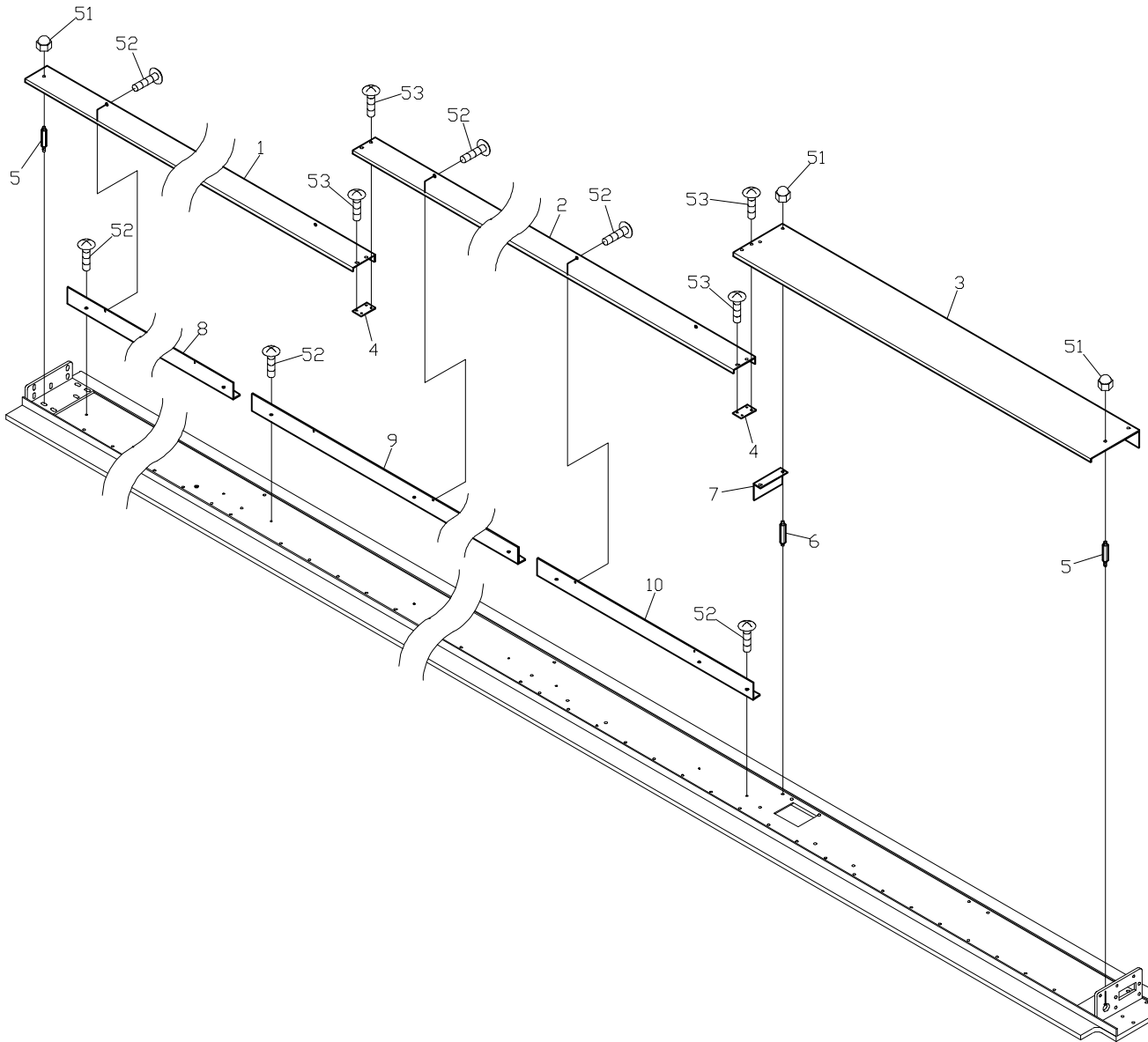
BENYHE-ZQ-C
BENBHE-ZQ-C

10E Pantograph drive E



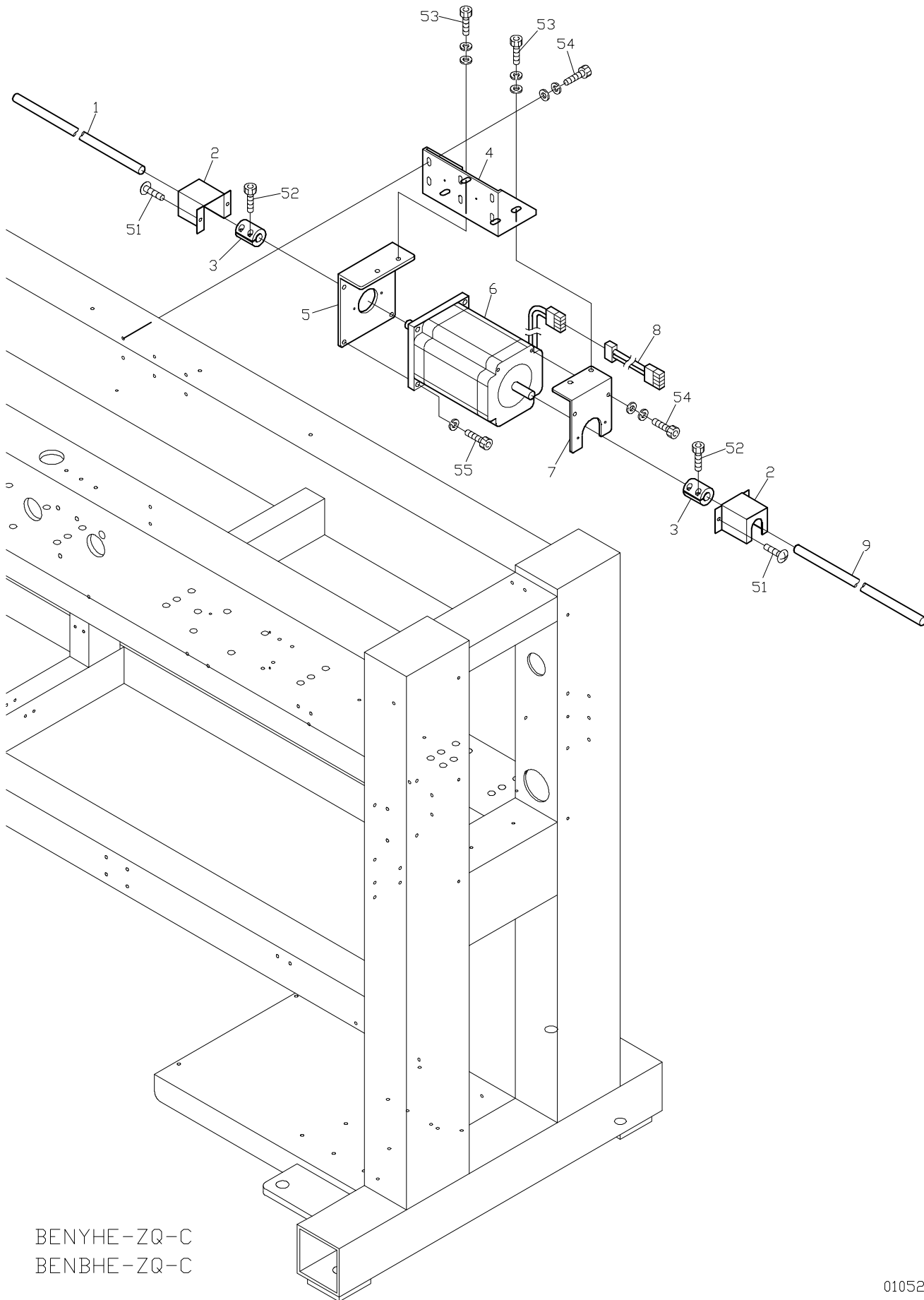
BENYHE-ZQ-C
BENBHE-ZQ-C

10G Pantograph drive G



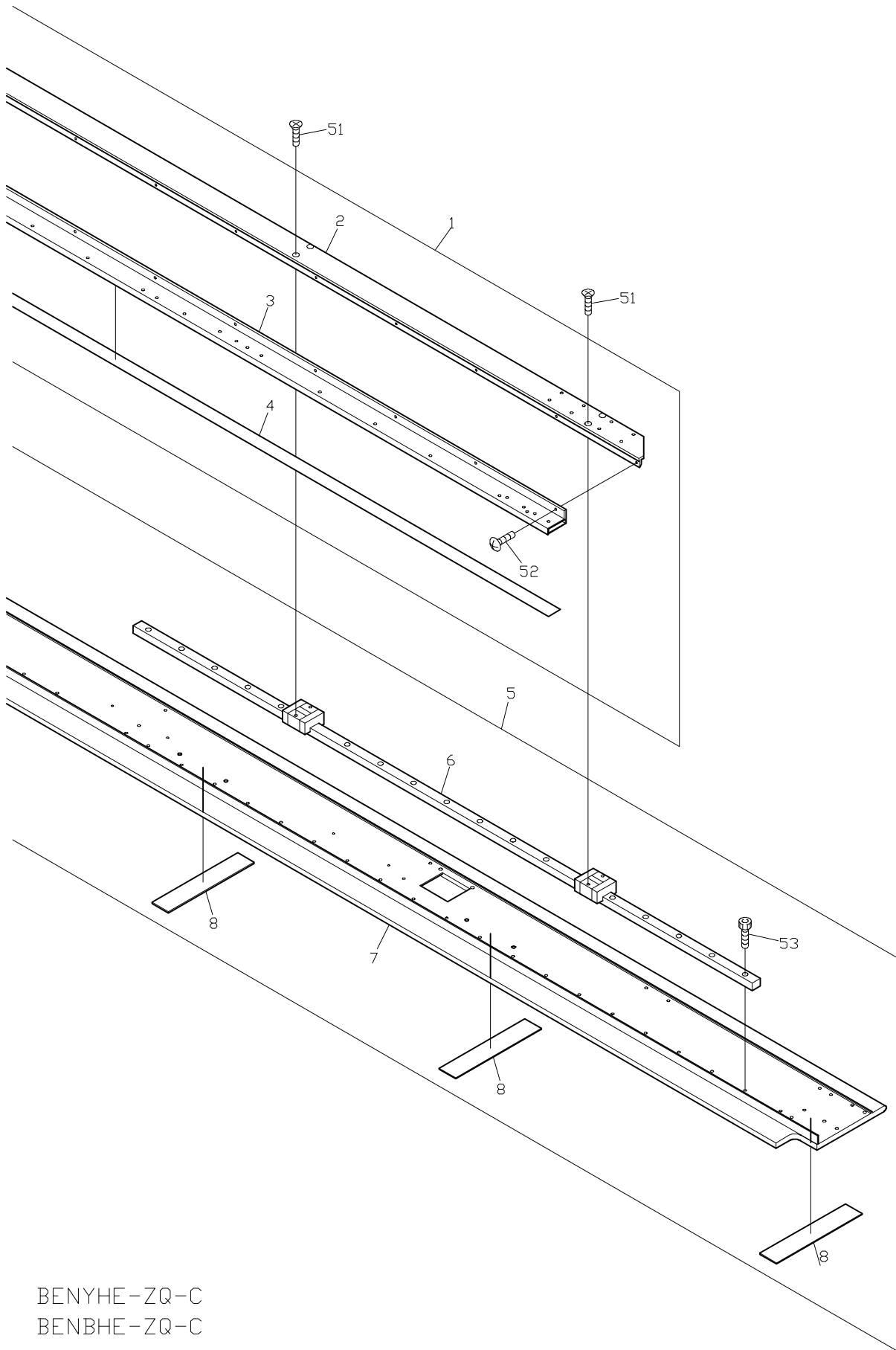
BENYHE-ZQ-C
BENBHE-ZQ-C

10H Pantograph drive H



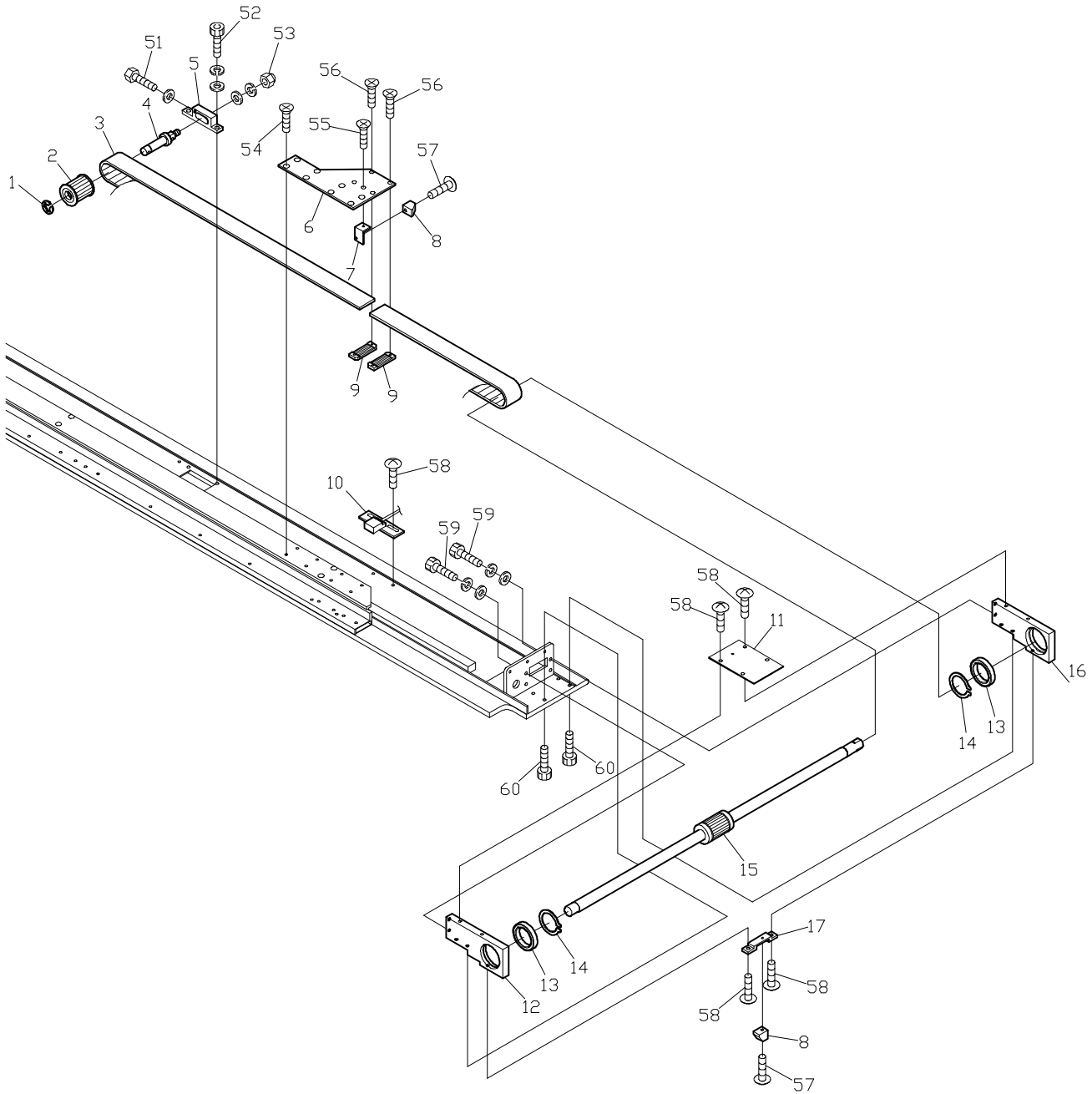
BENYHE-ZQ-C
BENBHE-ZQ-C

10I Pantograph drive I



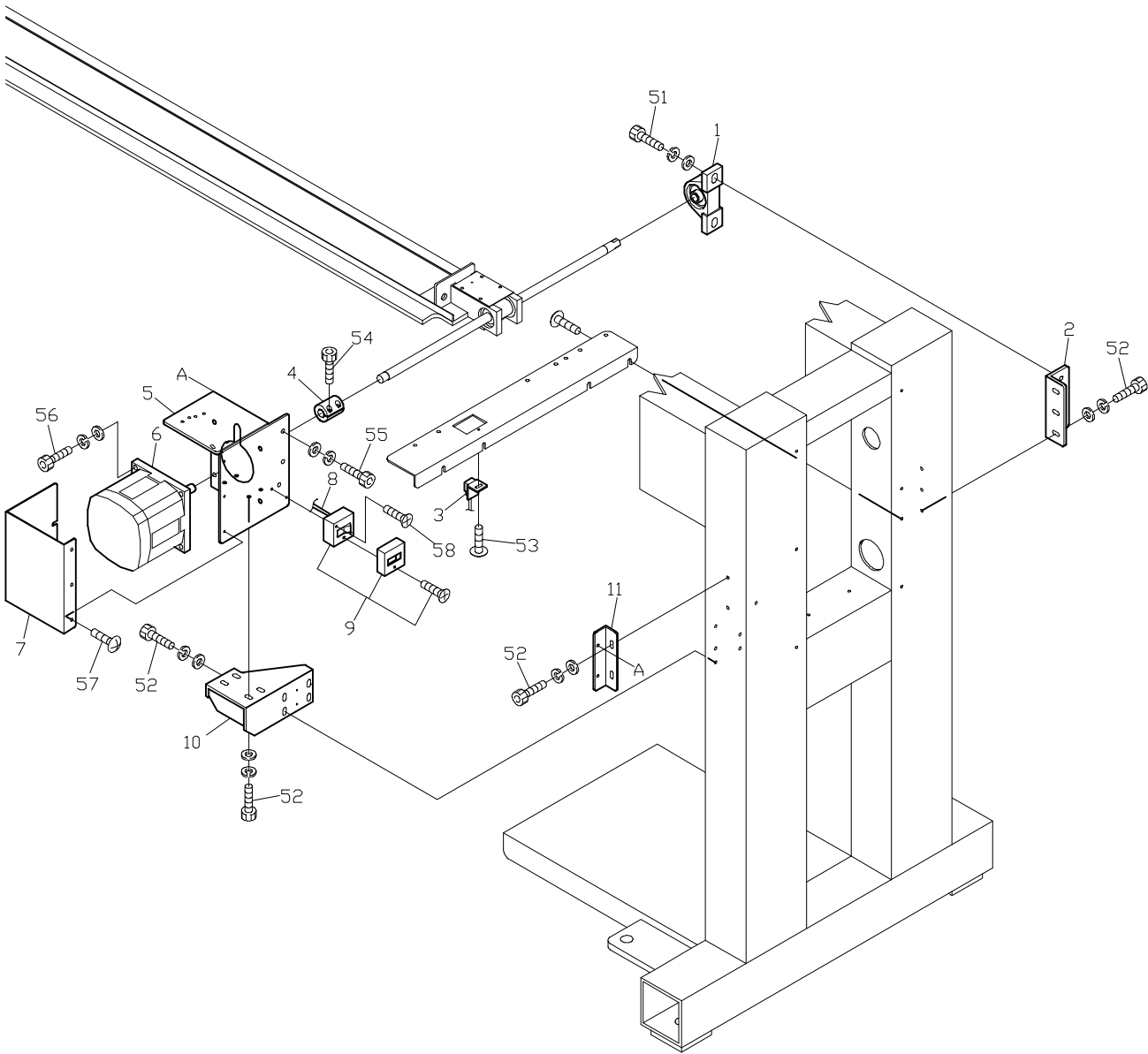
BENYHE-ZQ-C
BENBHE-ZQ-C

10J Pantograph drive J



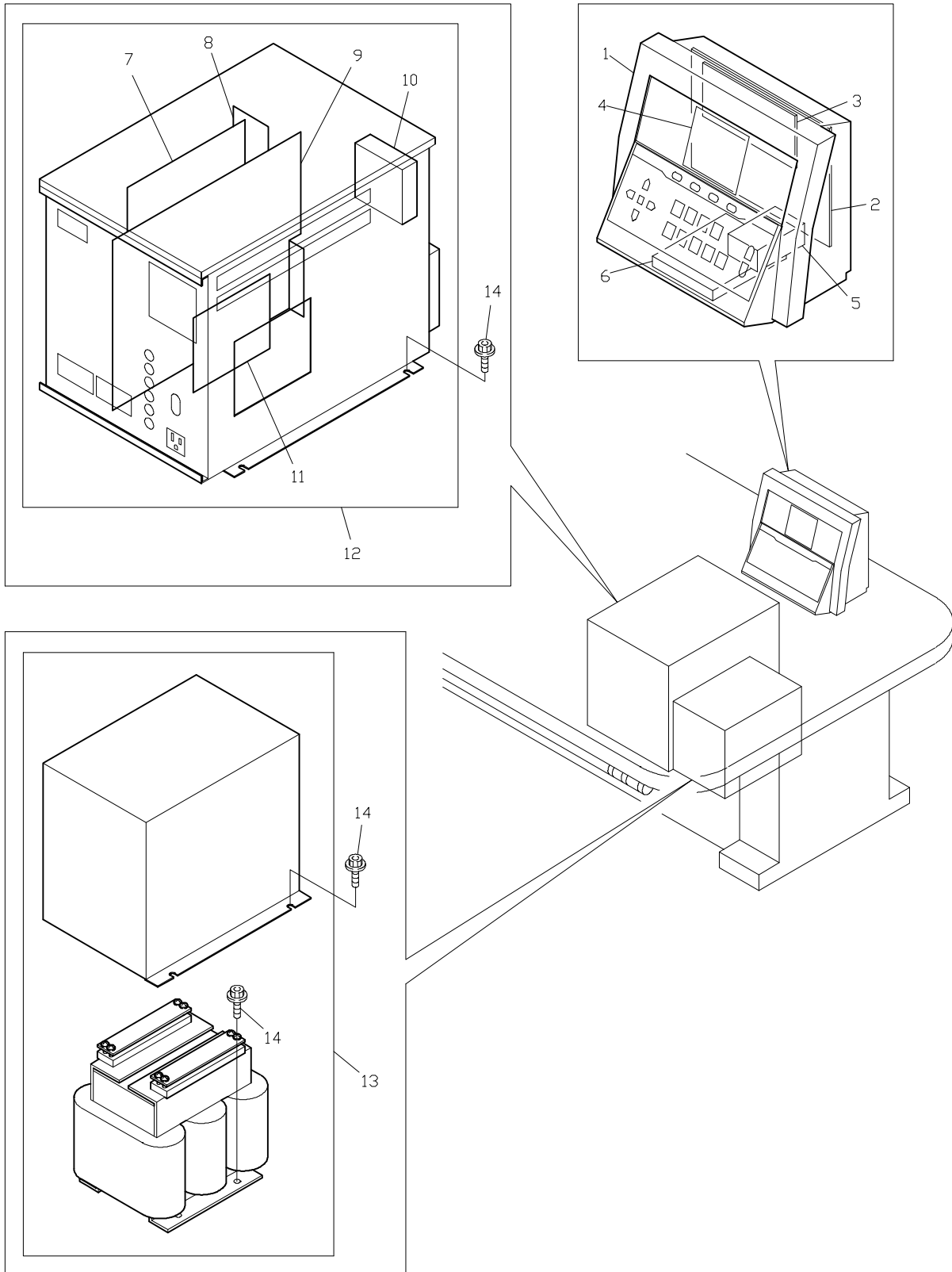
BENYHE-ZQ-C
BENBHE-ZQ-C

10K Pantograph drive K

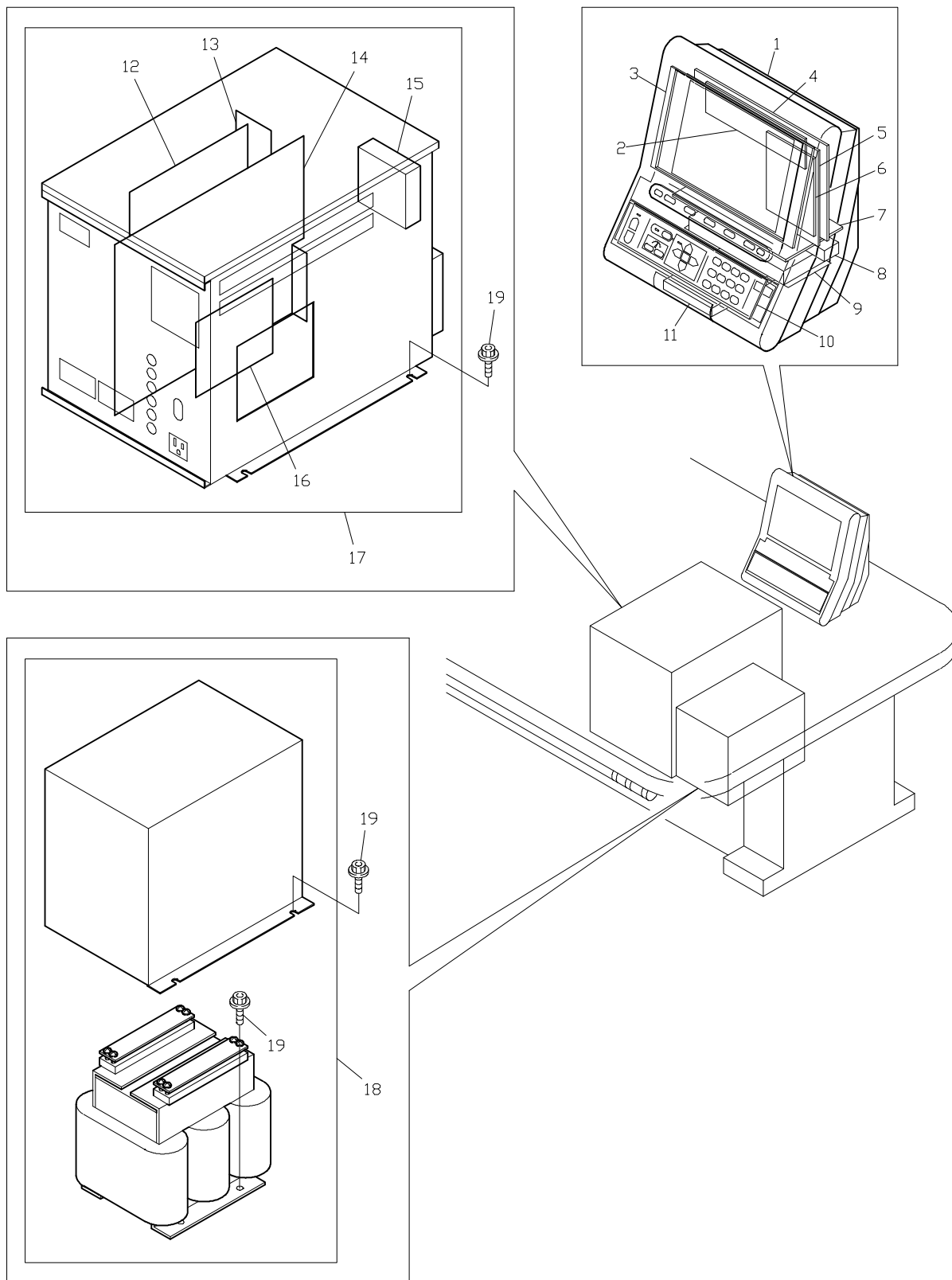


BENYHE-ZQ-C
BENBHE-ZQ-C

11A-1 Control A (NY)

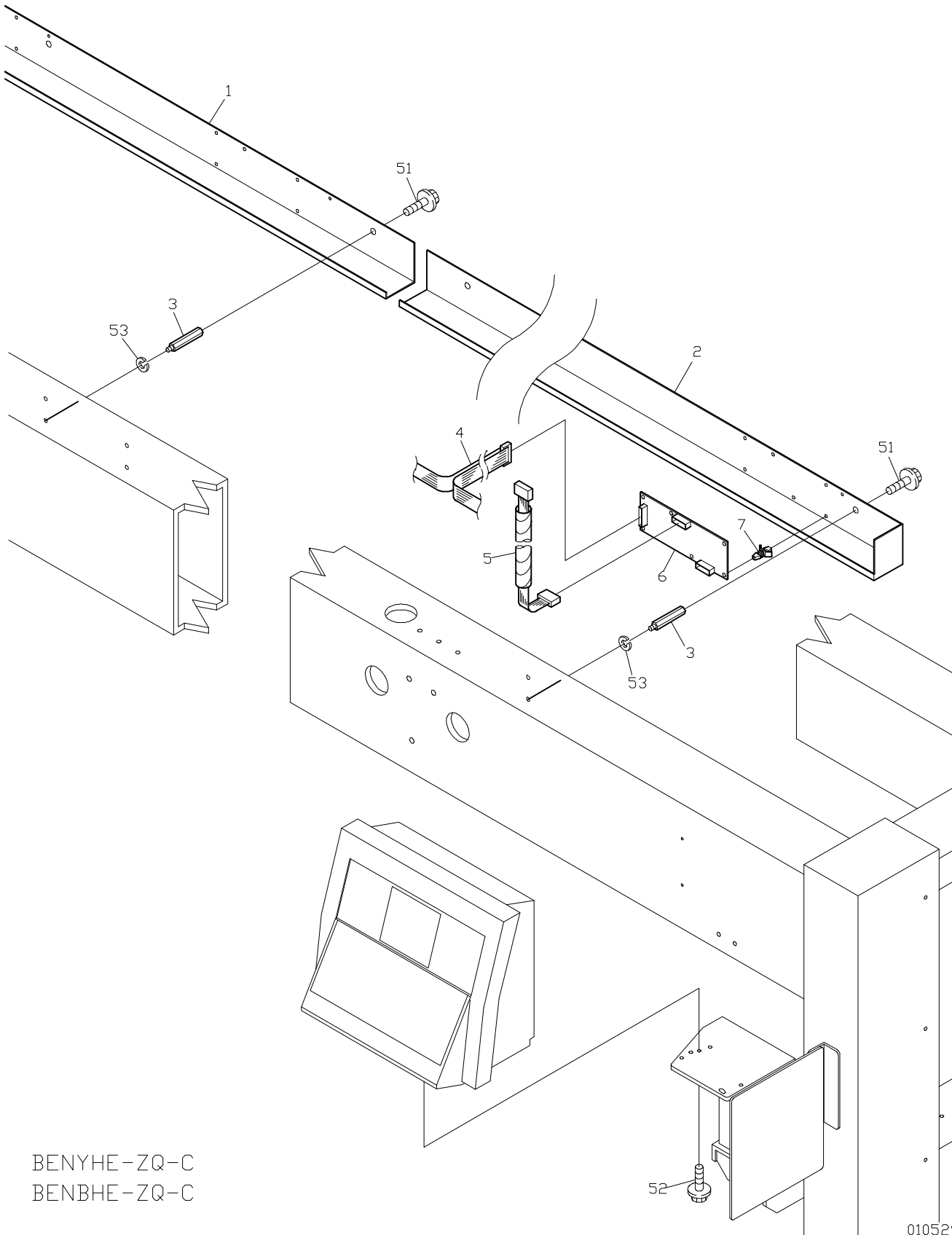


BENY-YN/YS BENYME-YN/YS BENYME-ZN/ZQ BENYH-YN
 BENYH-YN-C BENYHE-YN BENYHE-ZQ BENYHE-ZQ-B



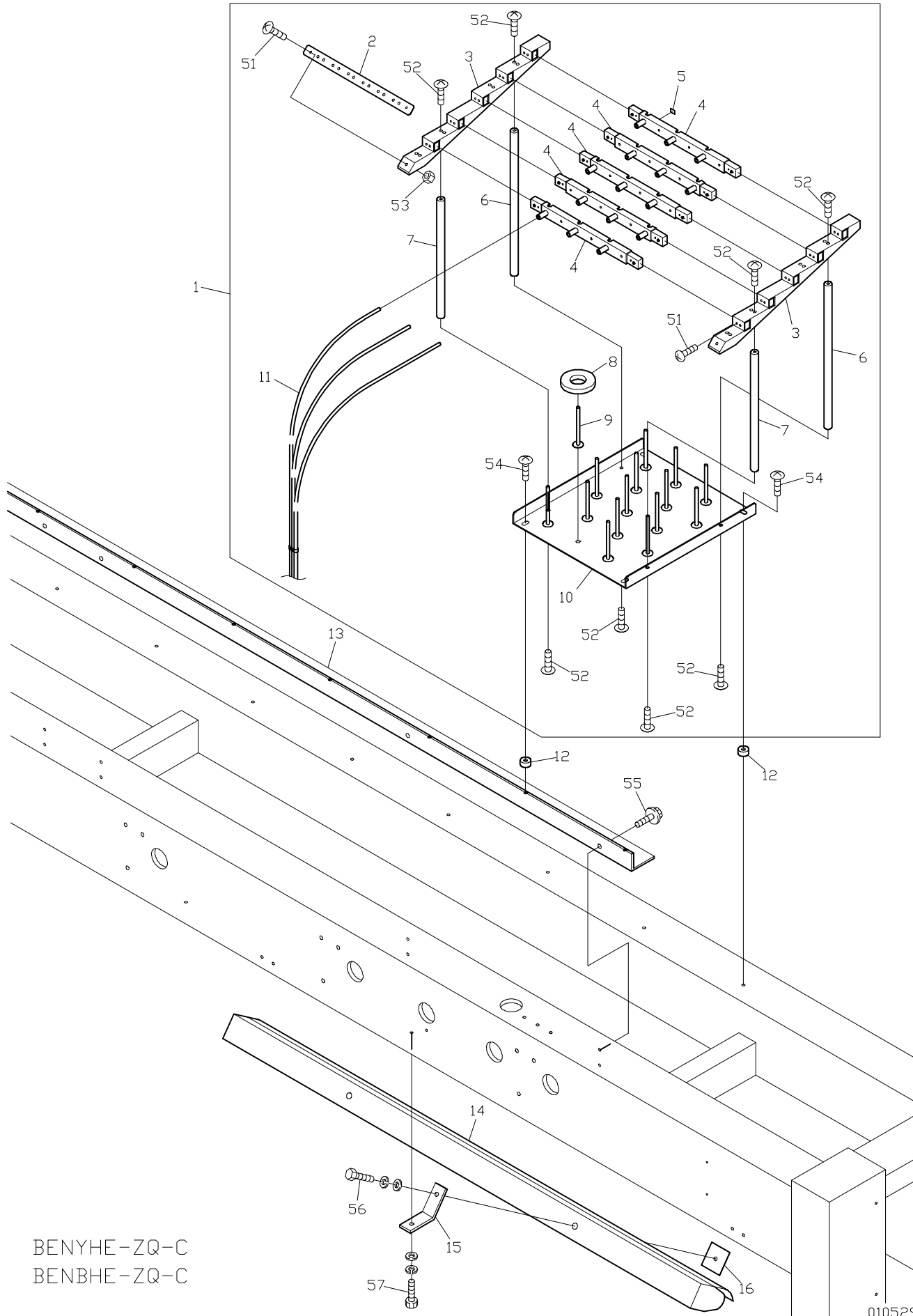
BENB-YN/YS BENBME-YN/YS BENBME-ZN/ZQ BENBH-YN BENBHE-YN
 BENBH-YN-B BENBH-ZQ-A BENBHE-ZQ BENBHE-ZQ-B BENBHE-ZQ-C

11B Control B



BENYHE-ZQ-C
BENBHE-ZQ-C

12 Accessories



BENYHE-ZQ-C
BENBHE-ZQ-C

INDEX

LIST No.	SECTION No.	ITEM	LIST No.	SECTION No.	ITEM
A9010003	08	7	A9014161	00A	7
A9010061	10J	13	A9014162	00A	11
A9010062	07	13	A9014163	00A	12
A9010063	07	20	A9014163	00B	16
A9010065	04B	31	A9019008	04D	12
A9010073	03B	6	A9019009	04D	9
A9011111	01A	14	A9019049	00A	15
A9011173	02A	24	A9020180	08	5
A9011242	10K	1	A9052028	02C	3
A9011243	10C	5	A9052029	10K	9
A9011243	10D	2	A9052030	10J	8
A9011243	10E	2	A9052078	02B	4
A9011243	10F	3	A9052080	04D	14
A9011244	10C	6	A9052081	04D	8
A9011244	10F	2	A9053077	06A	17
A9012002	02B	8	A9053079	07	2
A9012027	01A	25	A9053081	08	3
A9012052	10C	20	A9053082	02B	32
A9012052	10D	16	A9054040	02B	1
A9012052	10E	16	A9056030	02A	19
A9012052	10F	17	A9056031	02C	1
A9012052	10J	1	A9056036	05	6
A9012053	04B	34	A9056037	02D	21
A9012063	08	9	A9060063	07	17
A9012066	08	6	A9065088	02B	13
A9012068	07	12	A9065092	07	6
A9012127	02D	30	A9065093	07	7
A9012127	04B	7	A9068030	10C	3
A9012127	07	19	A9068032	06A	9
A9012154	01A	5	A9068048	11B	7
A9012208	07	4	A9068049	10C	22
A9012368	02D	14	A9068050	10C	23
A9012368	04B	21	EAY033A1	11A-1	1
A9012401	10J	14	EAY038A1	11A-2	1
A9012412	06A	3	EAY046A2	11A-2	17
A9012412	06B	3	EAY046A3	11A-2	18
A9012421	03B	7	EAY046A4	11A-2	19
A9012433	10A-2	5	EAY047A3	11A-2	18
A9012433	10B-2	9	EAY051A2	11A-1	12
A9013066	02A	10	EAY051A3	11A-1	13
A9013070	00B	6	EAY052A3	11A-1	13
A9014059	01A	7	EAY053A0	10H	8
A9014154	04D	10	EBY01240	11A-1	3
A9014155	04D	11	EBY01270	11A-1	5
A9014158	02C	18	EBY01350	11A-1	6

I N D E X

LIST No.	SECTION No.	ITEM	LIST No.	SECTION No.	ITEM
EBY01350	11A-2	11	HB240020	05	8
EBY01380	11A-2	8	HB240030	05	9
EBY01530	11A-2	5	HB240041	05	10
EBY01540	11A-2	4	HB560060	05	12
EBY01550	11A-2	2	HB560080	05	11
EBY01560	11A-2	7	HB560211	05	13
EBY01570	11A-2	10	HB710020	12	16
EBY01580	11A-2	6	HH481931	10H	3
EBY01590	11A-2	9	HH481931	10K	4
EBY01600	11A-2	3	HH481980	10C	12
EBY01620	11A-1	7	HH481980	10D	8
EBY01620	11A-2	12	HH481980	10E	8
EBY01641	06A	14	HH481980	10F	9
EBY01650	07	3	HM140120	00B	8
EBY01663	11B	6	HM270000	02A	27
EBY01690	06A	13	HM270010	02B	6
EBY01700	06A	15	HN270010	02B	16
EBY01720	06B	9	HP220712	01A	6
EBY01890	11A-2	14	HP231370	04B	17
EBY01900	11A-2	13	HP321082	01A	12
EBY01910	11A-2	16	HP321090	01A	13
EBY02200	11A-1	4	HP321710	01B	5
EBY02220	11A-1	2	HP321720	01B	1
EBY02230	11A-1	8	HP482940	10C	15
EBY02240	11A-1	9	HP482940	10D	11
EBY02250	11A-1	11	HP482940	10E	11
FA904147	11A-1	10	HP482940	10F	12
FA904147	11A-2	15	HP482940	10J	9
FN070011SNY	04A	25	HS210020	01A	1
FR92300290A380A	10B	1	HS210021	01A	1
FR92300290A380A	10B-2	1	HS210030	01A	24
FR92460434A520A	10B	1	HS210042	01A	11
FR92460434A520A	10B-2	1	HS210050	02A	15
HB220010	01A	21	HS210060	02A	20
HB230070	03B	8	HS210061	02A	20
HB230080	03B	9	HS210070	02A	18
HB230200	04B	11	HS210080	02A	23
HB230220	04C	10	HS210090	02A	25
HB230261	04C	9	HS210100	02A	14
HB230271	04C	3	HS210111	02A	12
HB230281	04C	7	HS210121	02A	13
HB230361	04C	6	HS210142	02A	16
HB230620	03B	12	HS210143	02A	16
HB230650	03B	17	HS210190	01A	10
HB230800	03B	15	HS210200	01A	18

INDEX

LIST No.	SECTION No.	ITEM	LIST No.	SECTION No.	ITEM
HS210230	01A	17	HT710000	12	9
HS210280	01A	17	HV310220	08	2
HS270030	02B	2	HV480060	10H	6
HS270070	02B	31	KC250482	01A	19
HS270110	02B	15	KC270101	02D	32
HT230120	04A	21	KC270970	02A	11
HT230220	05	4	KC271001	02A	17
HT230263	04A	13	KC271430	02B	12
HT230280	04B	24	KC271940	02A	22
HT230290	04B	19	KC330180	02B	3
HT230320	04B	18	KC330410	02B	10
HT230330	04A	12	KC330510	02B	9
HT230340	04B	26	KF220220	01A	4
HT230380	04C	5	KF220230	01A	3
HT230410	04C	8	KF220240	01A	20
HT230420	04C	11	KF220290	01A	2
HT230450	04B	9	KF220302	01A	23
HT230460	04B	14	KF220421	01A	22
HT230470	04B	4	KF220530	01A	22
HT230480	04B	15	KF220700	01A	21
HT230490	04B	5	KF220981	01A	23
HT230500	04B	16	KF230501	03B	24
HT230510	04B	12	KF230530	04B	8
HT230520	02D	13	KF230582	02D	2
HT230520	04B	20	KF230680	03B	23
HT230560	04B	25	KF230910	04A	20
HT230590	04C	1	KF230920	04A	15
HT230600	04C	14	KF250220	02D	7
HT230610	04C	13	KF250231	02D	9
HT230620	05	3	KF250241	02D	8
HT230720	04C	15	KF250250	02D	10
HT230730	04B	6	KF710390	12	8
HT230750	04B	3	KF730500	10A-1	3
HT230760	04B	10	KF730500	10A-2	3
HT230770	04B	13	KF730500	10B	9
HT240101	06B	15	KF730500	10B-2	12
HT240240	06A	7	KF730750	10A-1	1
HT240290	06B	12	KF730750	10A-2	1
HT240300	06B	4	KF730760	10A-1	2
HT240310	06B	13	KF730760	10A-2	2
HT240480	06A	5	KL220140	01A	8
HT240480	06B	6	KL270081	02C	4
HT270063	02D	22	KL270091	02C	8
HT270160	02A	5	KL270101	02C	9
HT270180	02A	6	KL270110	02C	6

INDEX

LIST No.	SECTION No.	ITEM	LIST No.	SECTION No.	ITEM
KL270120	02C	10	KX510140	04D	15
KL270130	02C	11	LA210080	01A	18
KL270260	02C	2	LA230281	03A	7
KL270450	02C	7	LA270070	02D	12
KN270952	02A	9	LA330160	04D	1
KN270961	02A	7	LA730590	10B	6
KN271560	02A	26	LA730590	10B-2	6
KN271750	02B	7	LA730610	10B	4
KN271782	02B	5	LA730610	10B-2	4
KN272350	02B	17	LA730620	10B	7
KN272401	02A	21	LA730630	10B	5
KN272401	02C	5	LA730630	10B-2	5
KN511020	01B	3	LA730640	10B	8
KN540510	06B	14	LA730650	10B	3
KV230040	04A	11	LA730650	10B-2	3
KW710060	10K	8	LA730680	10B	2
KW710070	10K	8	MT272500	02A	27
KX230050	04B	30	RA130250	04D	13
KX230080	04B	33	RA130280	04D	13
KX230120	03A	5	RD230020	04A	1
KX230141	03A	2	RD230031	04A	2
KX230152	03A	1	RD230050	04B	29
KX230192	04A	3	RD230060	04A	17
KX230251	04A	14	RD230080	03A	4
KX230310	03A	6	RD230111	04D	3
KX250080	01A	9	RD230130	03B	19
KX250080	02A	2	RD230150	04B	2
KX270000	02A	28	RD230170	04A	8
KX270010	02A	8	RD230180	04A	4
KX270022	02A	4	RD230191	05	5
KX270070	02C	14	RD230201	03A	3
KX270090	02D	4	RD230230	04B	32
KX270100	02D	6	RD230240	04B	28
KX270110	02D	5	RD230250	05	7
KX270120	02D	3	RD230340	05	1
KX270282	02A	1	RD230370	04A	18
KX270290	02D	17	RD230480	04A	7
KX270300	02D	19	RD230490	04A	9
KX270310	02D	18	RD240022	06A	12
KX270320	02D	16	RD240030	06A	8
KX270340	02D	11	RD240051	06A	21
KX270350	02D	20	RD240090	06A	24
KX270360	02D	15	RD240111	06A	11
KX270430	02A	29	RD240121	06A	16
KX330020	04D	2	RD240130	06A	22

INDEX

LIST No.	SECTION No.	ITEM	LIST No.	SECTION No.	ITEM
RD240153	06A	10	RH230320	03B	28
RD240171	06A	23	RH230330	03B	27
RD240181	06A	25	RH230410	04A	10
RD240271	04D	6	RH230440	04A	22
RD240280	06A	6	RH230450	04A	24
RD240291	06A	1	RH230460	04A	23
RD240291	06B	1	RH230540	04B	23
RD240301	06A	2	RH230550	04B	22
RD240301	06B	2	RH230610	03B	25
RD240320	06A	4	RH230801	03B	22
RD240320	06B	5	RH230810	03B	21
RD240330	06A	18	RN230000	03B	1
RD240340	06A	19	RN230010	03B	2
RD240430	06A	37	RN230020	03B	3
RD240430	06B	21	RN230030	03B	4
RD240440	06A	38	RN230040	03B	5
RD240440	06B	22	RN230060	03B	1
RD250010	04D	5	RN230070	03B	10
RD250020	04D	5	RP310170	08	1
RD250030	04D	5	RP480200	10C	18
RD250040	04D	16	RP480200	10D	14
RD250070	04D	7	RP480200	10E	14
RD250080	04A	5	RP480200	10F	15
RD270010	02D	33	RQ120080	00B	4
RD270020	02C	13	RQ250000	04D	13
RD270032	02C	15	RQ250010	04D	13
RD270040	02C	12	RQ310000	08	8
RD270050	02D	1	RQ480250	10A-1	5
RD270060	02D	34	RQ510080	12	14
EBY01625	11B	5	RQ510090	12	14
RD540010	06B	7	RR240150	06A	12
RD540050	06B	11	RR240160	06A	8
RD540060	06B	10	RR240170	06A	6
RD710310	12	11	RR240180	06A	7
RD710330	12	4	RR240190	06B	7
RD710340	12	3	RR240200	06B	11
RD710351	12	7	RV210000	03B	26
RD710361	12	6	RV230010	04A	16
RD710370	12	2	RV230020	04B	1
RD710380	12	5	RV230030	04A	19
RH230271	03B	14	RV230040	04A	6
RH230280	03B	13	RV230050	05	2
RH230290	03B	10	RV230060	03B	18
RH230300	03B	11	RV230070	03B	16
RH230311	03B	20	RV230120	04A	6

INDEX

LIST No.	SECTION No.	ITEM	LIST No.	SECTION No.	ITEM
RV230130	04A	16	SC250000	8	18
RV230180	04C	12	SC250010	8	22
RV230190	04C	4	SC250020	02B	14
RV230200	04C	2	SC250030	10H	2
RV230250	04B	27	SC250040	10C	9
RV250060	04A	5	SC250040	10D	5
RV250070	04D	4	SC250040	10E	5
RV250090	02C	16	SC250040	10F	6
RV250111	02C	17	SC250050	10C	1
RV250121	02C	19	SC250060	10K	7
SC120000	00B	2	SC250070	10C	10
SC120010	00B	7	SC250070	10D	6
SC120020	00B	9	SC250070	10E	6
SC120030	00B	1	SC250070	10F	7
SC120040	00B	3	SC250080	01B	4
SC120050	00B	2	SC270000	02B	11
SC130000	08	21	SC310000	08	17
SC140000	00B	14	SC310010	08	14
SC140010	00B	19	SC310020	08	10
SC140020	00B	18	SC310030	08	11
SC140030	00B	17	SC310040	08	12
SC140040	00B	15	SC310050	08	15
SC140050	00A	3	SC310060	08	13
SC140060	00A	1	SC310070	08	19
SC140070	00A	2	SC310080	08	23
SC140080	00A	9	SC310090	08	20
SC140090	00B	5	SC310100	08	16
SC140100	00B	10	SC310110	08	23
SC140110	00A	8	SC310120	08	20
SC140120	00A	6	SC330010	07	11
SC140130	00A	5	SC330020	07	22
SC140140	00B	12	SC330030	07	21
SC140150	00B	11	SC330040	07	10
SC140160	00A	13	SC330050	07	15
SC140170	00A	14	SC330060	07	16
SC140180	00A	10	SC330070	07	9
SC160000	00A	4	SC330080	07	8
SC160010	00A	16	SC330090	07	14
SC160020	00A	17	SC330100	07	5
SC160030	00A	18	SC330110	07	1
SC160040	08	4	SC330120	07	18
SC160060	00A	4	SC330130	01B	2
SC210000	01A	15	SC480000	10C	13
SC210010	00B	13	SC480000	10D	9
SC210010	01A	16	SC480000	10E	9

INDEX

LIST No.	SECTION No.	ITEM	LIST No.	SECTION No.	ITEM
SC480000	10F	10	SC480240	10J	17
SC480010	10C	19	SC480250	10K	5
SC480010	10D	15	SC480260	10J	6
SC480010	10E	15	SC480270	10K	11
SC480010	10F	16	SC480280	10J	15
SC480010	10J	2	SC480290	10C	2
SC480020	10C	14	SC480300	10J	12
SC480020	10D	10	SC480310	10J	16
SC480020	10E	10	SC480320	10C	7
SC480020	10F	11	SC480320	10D	3
SC480020	10J	3	SC480320	10E	3
SC480030	10C	17	SC480320	10F	4
SC480030	10D	13	SC480330	10C	4
SC480030	10E	13	SC480330	10D	1
SC480030	10F	14	SC480330	10E	1
SC480030	10J	4	SC480330	10F	1
SC480040	10C	11	SC480340	10H	5
SC480040	10D	7	SC480350	10H	7
SC480040	10E	7	SC480360	10H	9
SC480040	10F	8	SC480370	10H	1
SC480050	10C	16	SC480800	10I	5
SC480050	10D	12	SC480810	10I	7
SC480050	10E	12	SC480820	10I	6
SC480050	10F	13	SC480830	10I	8
SC480060	10K	10	SC481000	10I	1
SC480070	10K	2	SC481010	10I	4
SC480080	10C	24	SC481020	10I	3
SC480090	10F	19	SC481030	10I	2
SC480100	10D	18	SC481040	10G	1
SC480110	10E	18	SC481050	10G	2
SC480120	10C	21	SC481060	10G	3
SC480130	10F	18	SC481070	10G	7
SC480140	10D	17	SC481080	10G	4
SC480150	10E	17	SC481090	10G	10
SC480160	10J	5	SC481100	10G	9
SC480170	10K	6	SC481110	10G	8
SC480180	10K	3	SC481120	10G	5
SC480190	10J	7	SC481130	10G	6
SC480200	10J	10	SC481140	10H	1
SC480210	10C	8	SC481150	10I	2
SC480210	10D	4	SC481160	10I	3
SC480210	10E	4	SC481170	10I	4
SC480210	10F	5	SC481180	10I	1
SC480220	10H	4	SC481190	10I	7
SC480230	10J	11	SC481200	10I	5

INDEX

LIST No.	SECTION No.	ITEM	LIST No.	SECTION No.	ITEM
SC510000	12	15			
SC510020	11B	3			
SC510030	11B	2			
SC510040	11B	1			
SC510060	11B	2			
SC510070	11B	1			
SC710000	12	1			
SC710010	12	10			
SC710020	12	13			
SC710030	12	12			
SC710040	12	13			
SC730000	10A-1	7			
SC730000	10A-2	8			
SC730010	10A-1	4			
SC730010	10A-2	4			
SC730020	10A-1	6			
SC730030	10A-2	7			
SC730041	10A-2	6			
SC730050	10A-1	4			
SC730050	10A-2	4			
SC730060	10A-1	7			
SC730060	10A-2	8			
SC730090	10B-2	2			
SC730101	10B-2	7			
SC730111	10B-2	8			
SC730121	10A-2	9			
SC730121	10B-2	10			
SC730131	10A-2	10			
SC730131	10B-2	11			