

BEKT-S1501CBIII

The Largest and Widest Embroidery Area in Drop Table and Single Head Line Up



MODEL
BEKT-S1501CBIII
(360×1200/1200)



Wide embroidery area of 1200mm achieves various kinds of works

The largest embroidery field in the line up of drop table models up to 1200mm in V direction.

Suitable for larger and wider materials such as banners and flags. Frames for finished products and Cap Frame also available.

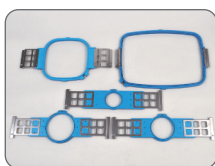
Machine Specifications / Main Dimensions

MODEL	Embroidery Area(mm)	Cap Frame(mm)	Number of Needles	Stitch Length(mm)	Speed(rpm)		Power Supply(v)	Power Consumption(kw)	Dimensions(mm)		
					Tubular Frame	Cap Frame			L	W	H
BEKT-S1501CBIII	360×1200/1200	86×360	15	0.1~12.7	200~1000	200~1000	1 φ 100~240	0.225	2490	1195	1669

Note 1 : The embroidery area indicated above allows for maximum pantograph movement. The frame used may restrict the actual embroidery field size.

Note 2 : Machines and Specifications are subject to change at any time without prior notice.

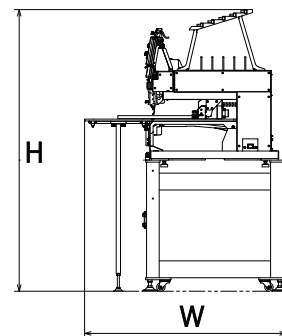
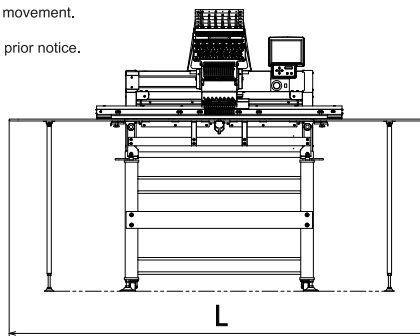
Accessories



Blue Frames for Finished Products



Wide Cap Frame



BARUDAN CO., LTD.



Sales Headquarter

20 Tsukagoshi, Josuiji, Ichinomiya-city, Aichi-pref.,
491-0004 Japan
Phone +81 586-76-1137
Fax +81-586-77-1499
URL <http://www.barudan.co.jp/>
E-mail info@barudan.co.jp

Agent:

We reserve the right to change specifications without notice for the purpose of product improvement.

2023-07

Barudan

THE MOST ADVANCED EMBROIDERY MACHINE SINCE 1959